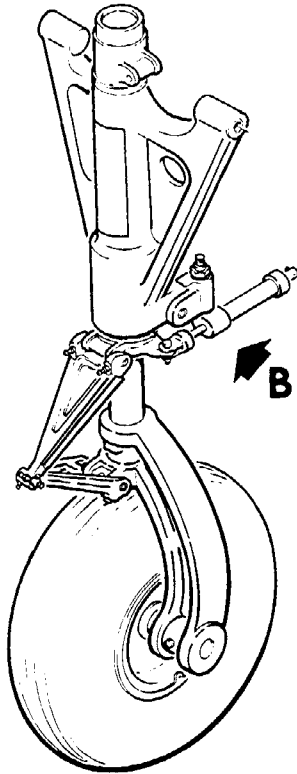
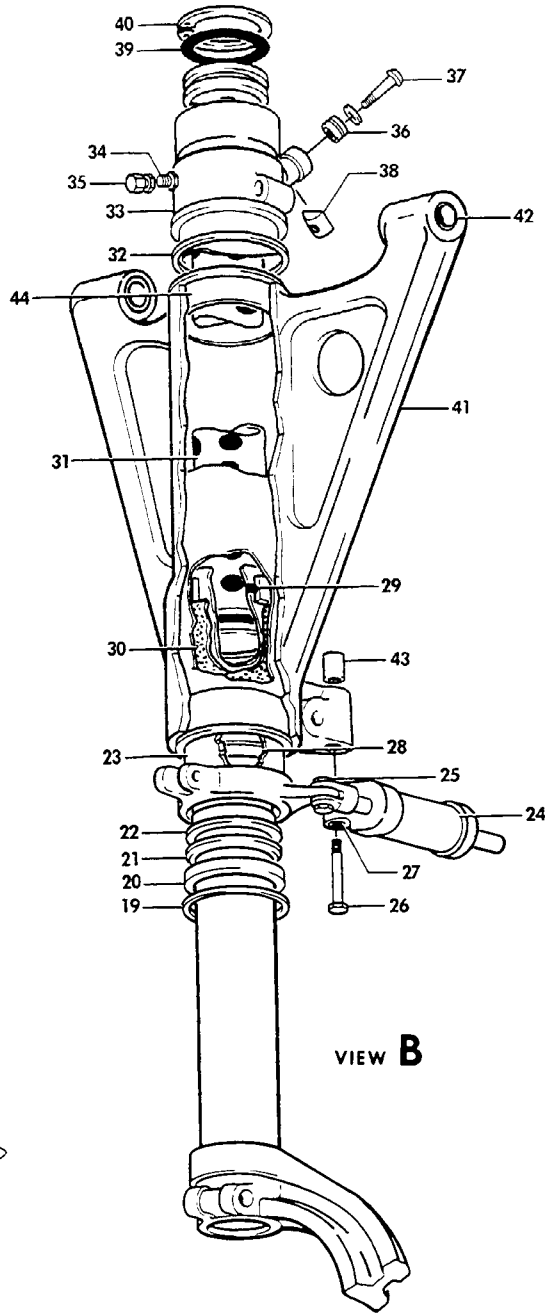


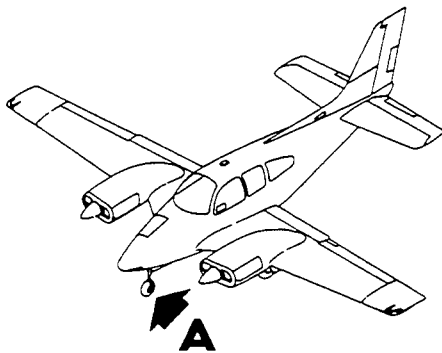
BEECHCRAFT  
 BARON 55  
 ILLUSTRATED PARTS CATALOG



VIEW A



VIEW B



A

B55-206-5

FIGURE 20-05. NOSE LANDING GEAR ASSEMBLY  
 /SHEET 2 OF 2 SHEETS/

B E E C H C R A F T  
 BARON 55  
 I L L U S T R A T E D P A R T S C A T A L O G

SUB-SECT UNIT & ITEM NO.	PART NO.	1 2 3 4 5 6 7	DESCRIPTION	UNITS PER ASSY	USABLE ON CODE
20-35 - 19	R 111200-6	.	RING, SNAP	1	1
- 20	R 45-825032	.	ADAPTER	1	1
- 21	R MS28776R2-19	.	SCRAPER	1	1
	R 35-825195-31	.	BARREL ASSY	1	1
- 22	R 45-825031	.	BEARING	1	1
- 23	R 35-825195-33	.	BARREL ASSY	1	1
- 24	R 35-825145-2	.	DAMPENER ASSY, NOSE GEAR SHIMMY/SEE 32-50-10/ /ATTACHING PARTS/	1	1
- 25	R 130909817	.	BOLT	1	
	R 105739S-ZK0190	.	BUSHING	1	
	R AN960-10	.	WASHER	1	
	R AN960-10L	.	WASHER	1	
	R 130909N29	.	NUT	1	
- 26	R AN6-31A	.	BOLT	1	
- 27	R 105739S-YP1483	.	BUSHING	1	
	R 100951X031YN	.	WASHER	1	
	R 100951X031YM	.	WASHER	1	
	R 130909N25	.	NUT	1	
- 28	R 35-380020-3	.	RING, SHOCK ABSORBER	1	1
- 29	R AN6230-2	.	O RING	1	1
- 30	R 35-820130-2	.	PAD, SHOCK ABSORBER	1	1
- 31	R 36-820021-3	.	ORIFICE TUBE ASSY, SHOCK ABSORBER. /SPARES FOR 35-825195-51/	1	1
- 32	R 35-820134	.	SHIM	1	1
- 33	R 45-825033	.	COLLAR, NOSE GEAR STEERING /ATTACHING PARTS/	1	1
	R 45-825034	.	BOLT	2	
- 34	R 118642-1	.	BODY, AIR VALVE	1	1
	R MS28778-5	.	GASKET	1	1
	R AN809-1	.	CORE, NOSE STRUT FILLER VALVE	1	1
- 35	R MS20813-1	.	CAP, NOSE STRUT FILLER VALVE	1	1
- 36	R NAS505-4J	.	BEARING, NEEDLE	1	1
- 37	R AN24-15A	.	BOLT	1	1
	R AN960-416L	.	WASHER	1	1
- 38	R SI452-048	.	NUT, BARREL	1	1
- 39	R AN6230-1	.	O RING	1	1
- 40	R MS16625-1187	.	RING, SNAP	1	1
	R 45-820096-603	.	BRACE ASSY, NOSE SHOCK ABSORBER	1	1
- 41	R 45-820096-17	.	BRACE	1	1
- 42	R 35-820135	.	BEARING	2	1
- 43	R 105740X-YN1458	.	BUSHING	1	1
	R 105740X-YD0490	.	BUSHING, UPPER SHOCK	1	1
	R 105740X-YD1365	.	BUSHING, LOWER SHOCK	1	1
- 44	R 35-820115	.	BEARING	2	1
	R 58-820013-3	.	PLACARD, TOW TURN LIMITS	1	

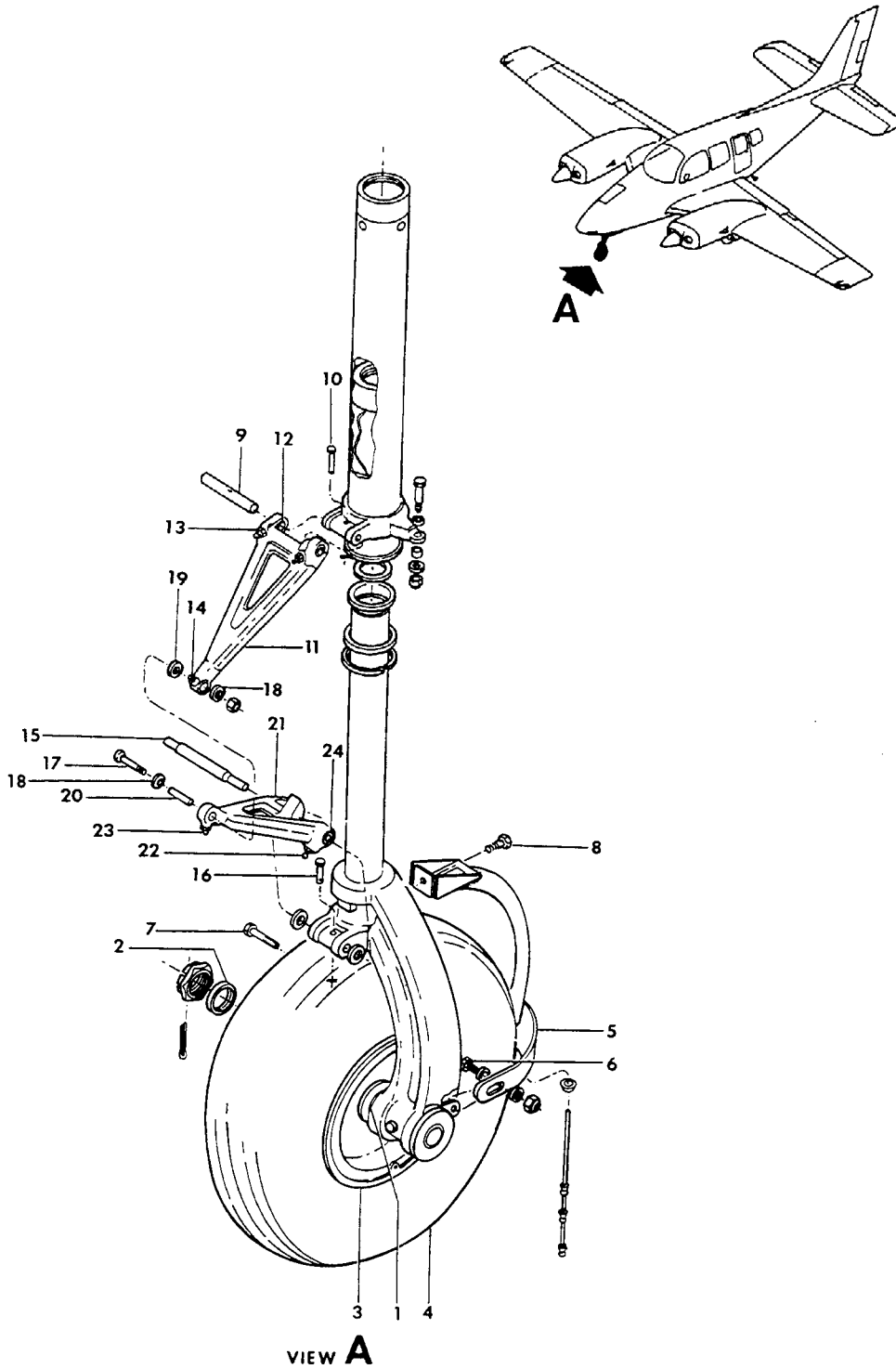
CODES OF EFFECTIVITY

1 TC-1 THRU TC-1392  
 TC-1397 THRU TC-1401  
 TC-1403 THRU TC-1607  
 TE-1 THRU TE-300

B E E C H C R A F T  
BARON SERIALS TC-1 THRU TC-1607, TE-1 THRU TE-937, TE-939 THRU TE-942  
I L L U S T R A T E D P A R T S C A T A L O G

32-20-10  
NOSE LANDING GEAR ASSY  
TC-1 THRU TC-1607, TE-1 THRU TE-300

BEECHCRAFT  
 BARON SERIALS TC-1 THRU TC-1607, TE-1 THRU TE-937, TE-939 THRU TE-942  
 ILLUSTRATED PARTS CATALOG

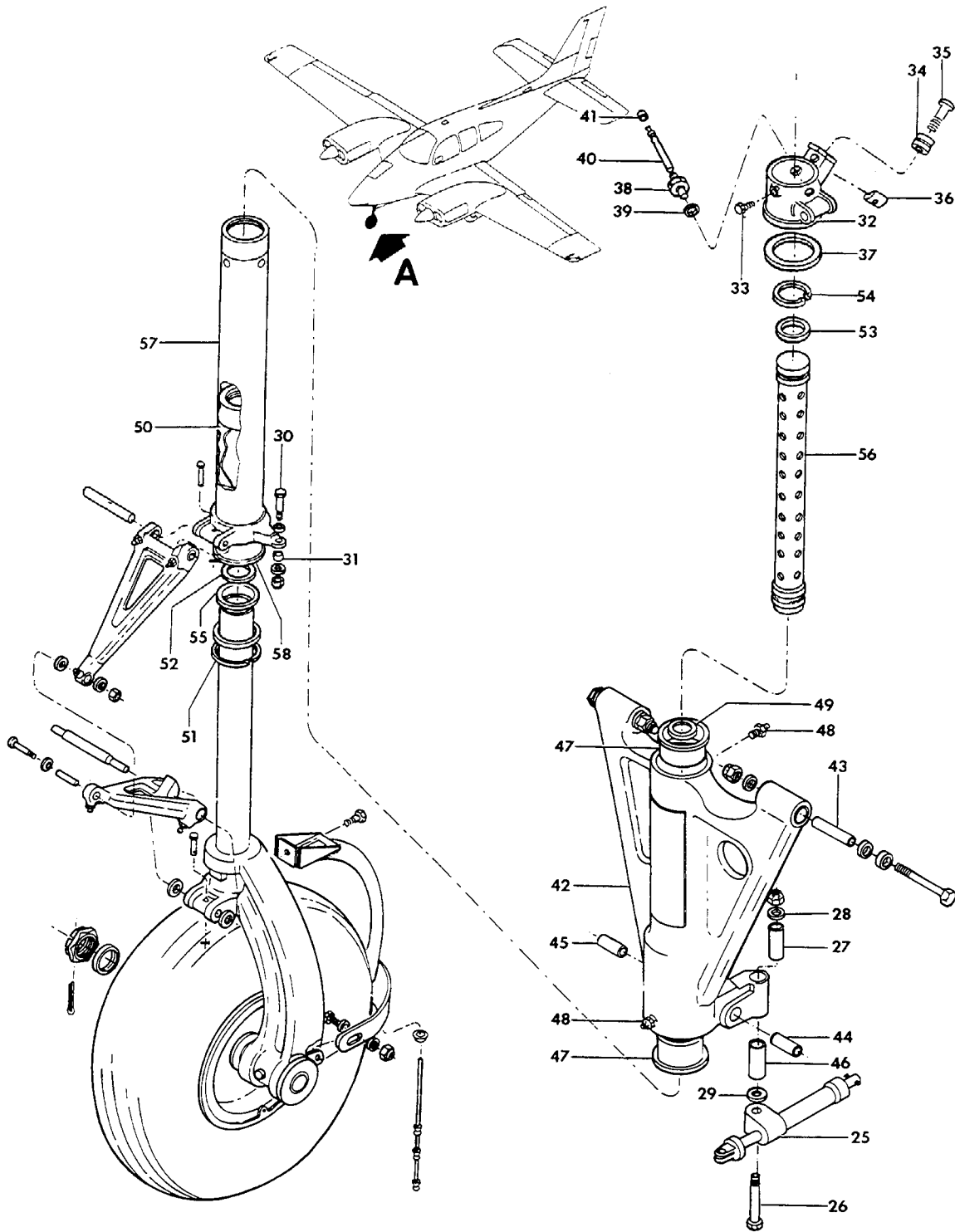


55-206-13

B E E C H C R A F T  
BARON 55  
I L L U S T R A T E D P A R T S C A T A L O G

SUB-SECT UNIT & ITEM NO.	PART NO.	DESCRIPTION	UNITS PER ASSY	USABLE ON CODE
		1 2 3 4 5 6 7		
20-10	R 35-825196-601	GEAR ASSY,NOSE/COMPLETE/ . . . . .	NP	1
	R 35-825196-611	GEAR ASSY,NOSE/COMPLETE/ . . . . .	NP	2
	R 35-825196-614	GEAR ASSY,NOSE/COMPLETE/ . . . . .	NP	3
	R 35-825196-618	GEAR ASSY,NOSE/COMPLETE/ . . . . .	NP	4
	R 36-820019-603	GEAR ASSY,NOSE/COMPLETE/SEE CHAPTER 32-20-05/ ORDER 36-820020-3/LESS TIRE AND WHEEL/	1	6
	35-825196-691	GEAR ASSY,NOSE/LESS TIRE AND WHEEL/ . . . . .	1	1
	35-825196-696	GEAR ASSY,NOSE/LESS TIRE AND WHEEL/ . . . . .	1	5
	36-820020-3	GEAR ASSY,NOSE/LESS TIRE & WHEEL/SPARES FOR . . . . . 35-825196-691 AND -696	1	6
	35-825196-23	. WHEEL,TIRE & TUBE ASSY,BALANCED . . . . . /ATTACHING PARTS/	1	6
- 1	35-825195-35	. WASHER,NOSE WHEEL/LOCATE NEXT TO SHOULDER . . . . . SUPERSEDES 95-820000-1/	1	
- 2	95-820000-3	. WASHER,NOSE WHEEL . . . . .	1	
	AN7502-20	. NUT . . . . .	1	
	AN380-4-7	. PIN,COTTER. . . . .	1	
- 3	95-32669	. . WHEEL ASSY/TUBELESS TIRE,SUPERSEDES . . . . . 95-32102,SEE CHAPTER 32-40-10/	1	14
	95-32926	. . WHEEL ASSY/TUBE TYPE TIRE . . . . . SEE CHAPTER 32-40-10/	1	7
	36-8002-1	. . WHEEL ASSY/TUBE TYPE TIRE . . . . . SEE CHAPTER 32-40-10/	1	8
- 4	5.00X5 6P TL	. . TIRE,6 PLY TUBELESS . . . . .	1	14
	5.00X5 6P TT	. . TIRE,6 PLY TUBE TYPE. . . . .	1	6
	5.00X5	. . TUBE. . . . .	1	6
- 5	35-825175-12	. WELD ASSY,NOSE WHEEL SCRAPER GUARD. . . . . /ATTACHING PARTS/	1	9
- 6	AN4-5A/M/	. BOLT,LH SIDE. . . . .	1	
- 7	AN4H3A/M/	. BOLT,RH SIDE. . . . .	1	
- 8	AN4H4A/M/	. BOLT. . . . .	1	
	AN960-416	. WASHER. . . . .	3	
	MS20365-428	. NUT/SUPERSEDES AN365-428/ . . . . .	1	
	35-820107	. KNEE ASSY,NOSE SHOCK UPPER. . . . . /ATTACHING PARTS/	1	6
- 9	35-820108	. PIN . . . . .	1	
	22K2-048	. NUT,CAP . . . . .	2	
- 10	AN392-23	. PIN . . . . .	1	
	MS24665-132	. PIN,COTTER/SUPERSEDES AN380-2-1/. . . . .	2	
- 11	35-820107-1	. . KNEE,NOSE SHOCK UPPER/ORDER 35-820107/. . . . .	NP	6
- 12	35-820123	. . BUSHING,UPPER KNEE. . . . .	2	6
- 13	MS15002-1	. . FITTING,ZERK. . . . .	2	6
- 14	1729	. . FITTING,ZERK. . . . .	1	6
	35-825193	. KNEE ASSY,NOSE SHOCK LOWER. . . . . /ATTACHING PARTS/	1	6
- 15	35-820132	. PIN . . . . .	1	
- 16	AN392-21	. PIN . . . . .	1	
	MS24665-132	. PIN,COTTER/SUPERSEDES AN380-2-1/. . . . .	1	
- 17	AN4-12/M/	. BOLT. . . . .	1	
- 18	100951S063ZZ	. WASHER. . . . .	1	
- 19	100951S063YH	. WASHER. . . . .	1	
- 20	35-820028	. BUSHING . . . . .	1	
	AN310-4	. NUT . . . . .	1	
	MS24665-132	. PIN,COTTER/SUPERSEDES AN380-2-1/. . . . .	1	
- 21	35-825193-1	. . KNEE,NOSE SHOCK LOWER . . . . .	1	6
- 22	MS15002-1	. . FITTING,ZERK. . . . .	1	6
- 23	1729	. . FITTING,ZERK. . . . .	1	6
- 24	35-820123	. . BUSHING . . . . .	2	6

BEECHCRAFT  
 BARON SERIALS TC-1 THRU TC-1607, TE-1 THRU TE-937, TE-939 THRU TE-942  
 ILLUSTRATED PARTS CATALOG



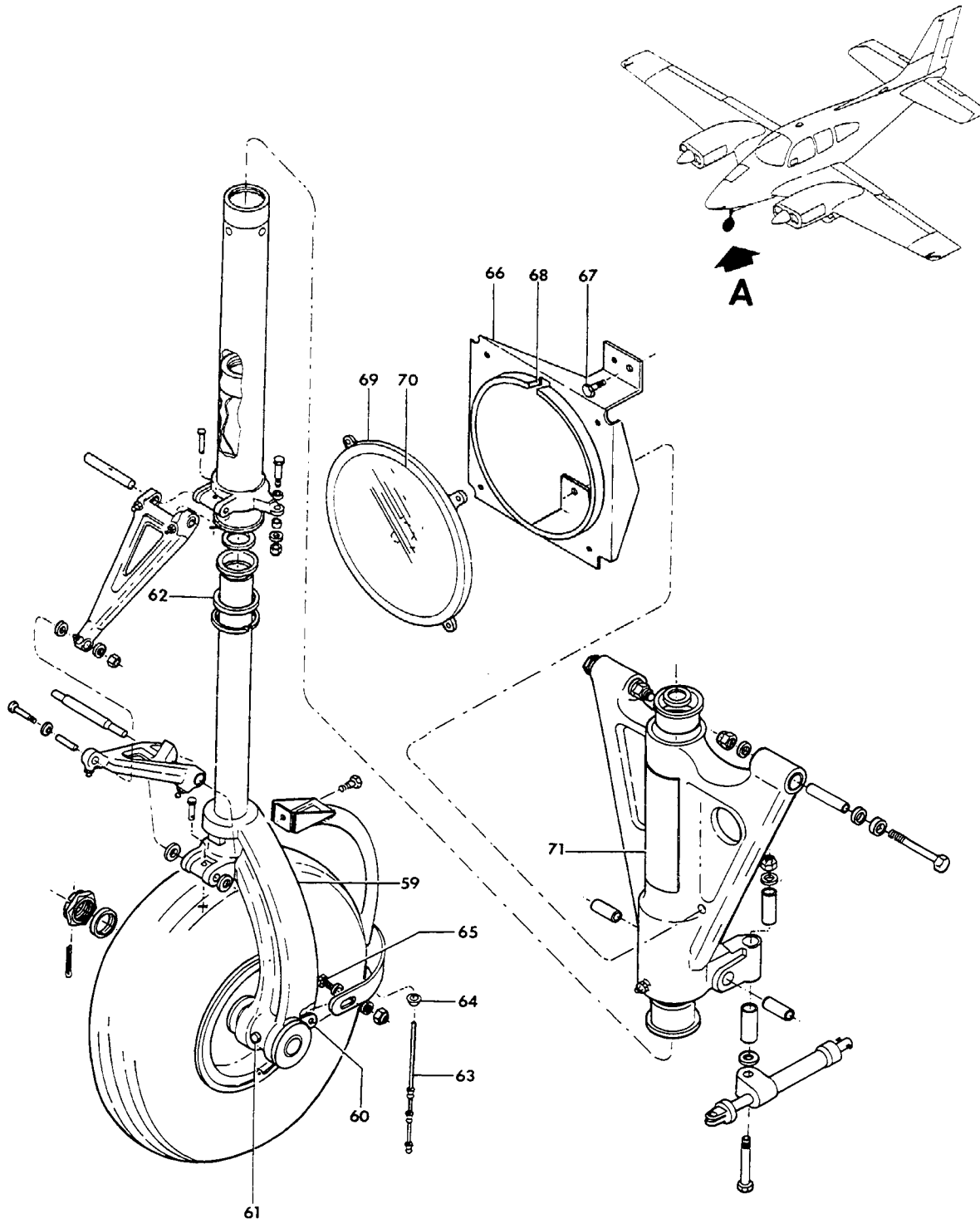
VIEW A

55-206-14

B E E C H C R A F T  
BARON 55  
I L L U S T R A T E D P A R T S C A T A L O G

SUB-SECT UNIT & ITEM NO.	PART NO.	DESCRIPTION	UNITS PER ASSY	USABLE ON CODE
		1 2 3 4 5 6 7		
20-10 - 25	R 35-825145-2	. DAMPER ASSY,NOSE LDG SHIMMY/SEE CHAP 32-50-10 /ATTACHING PARTS/	1	6
- 26	AN6-31A/M/	. BOLT. . . . .	1	
- 27	1057395-YP1483	. BUSHING . . . . .	1	
- 28	100951X031YM	. WASHER. . . . .	1	
- 29	100951X031YN	. WASHER. . . . .	1	
	MS20365-624	. NUT/SUPERSEDES AN365-624/ . . . . .	1	
- 30	AN3-6A/M/	. BOLT. . . . .	1	
- 31	1057395-ZK0190	. BUSHING . . . . .	1	
	AN960-10	. WASHER. . . . .	1	
	AN960-10L	. WASHER. . . . .	1	
	MS20365-1032	. NUT/SUPERSEDES AN365-1032/. . . . .	1	
		*		
- 32	45-825033	. COLLAR,NOSE GEAR STEERING . . . . . /ATTACHING PARTS/	1	6
- 33	45-825034	. BOLT. . . . .	2	
		*		
- 34	NAS505-4J	. BEARING,NEEDLE. . . . .	1	6
	NAS222-17	. SCREW . . . . .	1	10
- 35	NAS222-16	. SCREW . . . . .	1	11
	AN960-416L	. WASHER. . . . .	2	6
	AN960-416	. WASHER/ALTERNATE FOR AN960-416L/. . . . .	2	6
- 36	S1452-048	. NUT,BARREL. . . . .	1	6
- 37	35-820134	. SHIM,NOSE WHEEL STEERING COLLAR . . . . .	1	6
	35-820125	. BODY,NOSE STRUT FILLER VALVE. . . . .	1	12
- 38	118642-1	. BODY,NOSE STRUT FILLER VALVE. . . . .	1	13
	AN622786	. PACKING . . . . .	1	12
- 39	MS28778-5	. GASKET. . . . .	1	13
- 40	302D	. CORE,NOSE STRUT FILLER VALVE. . . . .	1	6
	AN813-1B	. CAP,NOSE STRUT FILLER VALVE . . . . .	1	12
- 41	MS20813-1	. CAP,NOSE STRUT FILLER VALVE . . . . .	1	13
	95-824005-3	. BRACE ASSY,NOSE SHOCK ABSORBER. . . . .	1	14
	95-824005-601	. BRACE ASSY,NOSE SHOCK ABSORBER. . . . .	1	15
- 42	95-824005-1	. BRACE . . . . .	1	6
- 43	35-820135	. BEARING . . . . .	2	6
- 44	105740X-YD1365	. BUSHING . . . . .	1	6
- 45	105740X-YD0490	. BUSHING . . . . .	1	6
- 46	105740X-YN1458	. BUSHING . . . . .	1	6
- 47	35-820115	. BEARING . . . . .	2	6
- 48	MS15002-1	. FITTING,ZERK. . . . .	4	6
- 49	35-380020-3	. RING,SHOCK ABSORBER PISTON. . . . .	1	6
- 50	35-820130-2	. PAD,SHOCK ABSORBER. . . . .	1	6
- 51	111200-6	. SNAP RING . . . . .	1	6
- 52	AN623082	. RING,O. . . . .	1	6
- 53	AN623081	. RING,O. . . . .	1	6
- 54	NAS50-187	. RING,INTERNAL RETAINER. . . . .	1	6
- 55	AN6231A19	. SCRAPER . . . . .	1	6
	35-825195-39	. TUBE ASSY,SHOCK ABSORBER ORIFICE. . . . .	1	14
- 56	35-825195-51	. TUBE ASSY,SHOCK ABSORBER ORIFICE. . . . .	1	15
	35-825195-21	. BARREL ASSY,NOSE WHEEL. . . . .	1	12
	35-825195-31	. BARREL ASSY,NOSE WHEEL. . . . .	1	13
- 57	35-825195-27	. BRAZE ASSY,NOSE WHEEL BARREL. . . . .	1	12
	35-825195-33	. BRAZE ASSY,NOSE WHEEL BARREL. . . . .	1	13
- 58	45-825031	. BEARING . . . . .	1	6

BEECHCRAFT  
BARON SERIALS TC-1 THRU TC-1607, TE-1 THRU TE-937, TE-939 THRU TE-942  
ILLUSTRATED PARTS CATALOG



VIEW A

55-206-15



B E E C H C R A F T  
BARON 55  
I L L U S T R A T E D P A R T S C A T A L O G

SUB-SECT UNIT & ITEM NO.	PART NO.	DESCRIPTION	UNITS PER ASSY	USABLE ON CODE
		1 2 3 4 5 6 7		
20-10	35-825195-601	. PISTON & FORK ASSY,NOSE GEAR/WELDED FORK/ . . . . .	1	1
- 59	35-825195-603	. PISTON & FORK ASSY,NOSE GEAR/FORGED FORK/ . . . . .	1	5
- 60	35-820133	. CLIP,STATIC GROUND CABLE. . . . .	1	16
		/ATTACHING PARTS/		
- 61	AN4-21A/M/ AN960-416 MS20365-428	. BOLT. . . . . . WASHER. . . . . . NUT/SUPERSEDES AN365-428/ . . . . .	1 1 1	
- 62	45-825032	. ADAPTER,NOSE GEAR PISTON SCRAPER. . . . .	1	6
- 63	35-825196-25	. CABLE ASSY,STATIC GROUND/SUPERSEDES . . . . . 45-361235/ /ATTACHING PARTS/	1	16
- 64	694-180702	. NUT . . . . .	1	
- 65	96-820011 AN960-416 MS20364-428	. BOLT. . . . . . WASHER. . . . . . NUT/SUPERSEDES AN364-428/ . . . . .	1 2 1	
		↓		
	96-364012	LIGHT INSTALLATION,NOSE GEAR TAXI . . . . .	NP	6
	95-364032-1	. BRACKET . . . . .	1	17
- 66	96-364012-3	. BRACKET . . . . .	1	18
		/ATTACHING PARTS/		
- 67	AN3A MS20365-1032	. BOLT. . . . . . NUT . . . . .	3 3	
- 68	112416 45-115018	. EXTRUSION/13 1/2 IN. LONG/. . . . . . CLAMP . . . . .	1 1	6 17
- 69	96-364012-5 4570	. CLAMP . . . . . . BULB. . . . .	1 1	18 17
- 70	4626	. BULB. . . . .	1	18
- 71	96-820010	PLACARD . . . . .	1	6

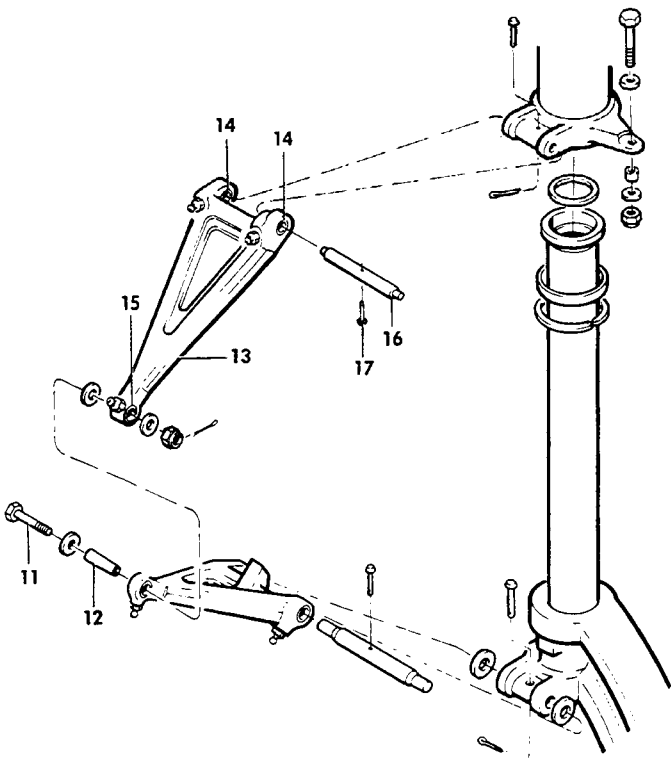
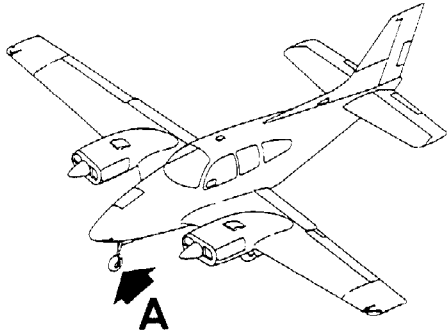
CODES OF EFFECTIVITY

1 TC-1 THRU TC-519	2 TC-520 THRU TC-809
3 TC-810 THRU TC-1288	4 TC-1289 THRU TC-1607 TE-1 THRU TE-300
5 TC-520 THRU TC-1607 TE-1 THRU TE-300	6 TC-1 THRU TC-1607 TE-1 THRU TE-300
7 TC-1 THRU TC-1077	8 TC-1078 THRU TC-1607 TE-1 THRU TE-300
9 TC-1 THRU TC-190	10 TC-1 THRU TC-555
11 TC-556 THRU TC-1607 TE-1 THRU TE-300	12 TC-1 THRU TC-205
13 TC-206 THRU TC-1607 TE-1 THRU TE-300	14 TC-1 THRU TC-809
15 TC-810 THRU TC-1607 TE-1 THRU TE-300	16 TC-1 THRU TC-1288 TE-1 THRU TE-300
17 TC-1 THRU TC-889	18 TC-890 THRU TC-1607 TE-1 THRU TE-300

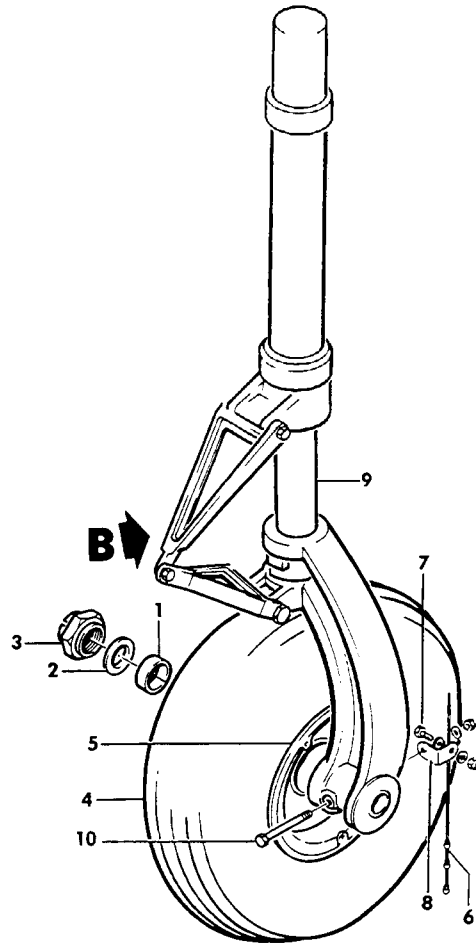
B E E C H C R A F T  
BARON SERIALS TC-1 THRU TC-1607, TE-1 THRU TE-937, TE-939 THRU TE-942  
I L L U S T R A T E D P A R T S C A T A L O G

32-20-20  
NOSE LANDING GEAR ASSY  
TE-301 THRU TE-942 EXCEPT TE-938

B E E C H C R A F T  
 BARON SERIALS TC-1 THRU TC-1607, TE-1 THRU TE-937, TE-939 THRU TE-942  
 ILLUSTRATED PARTS CATALOG



VIEW B



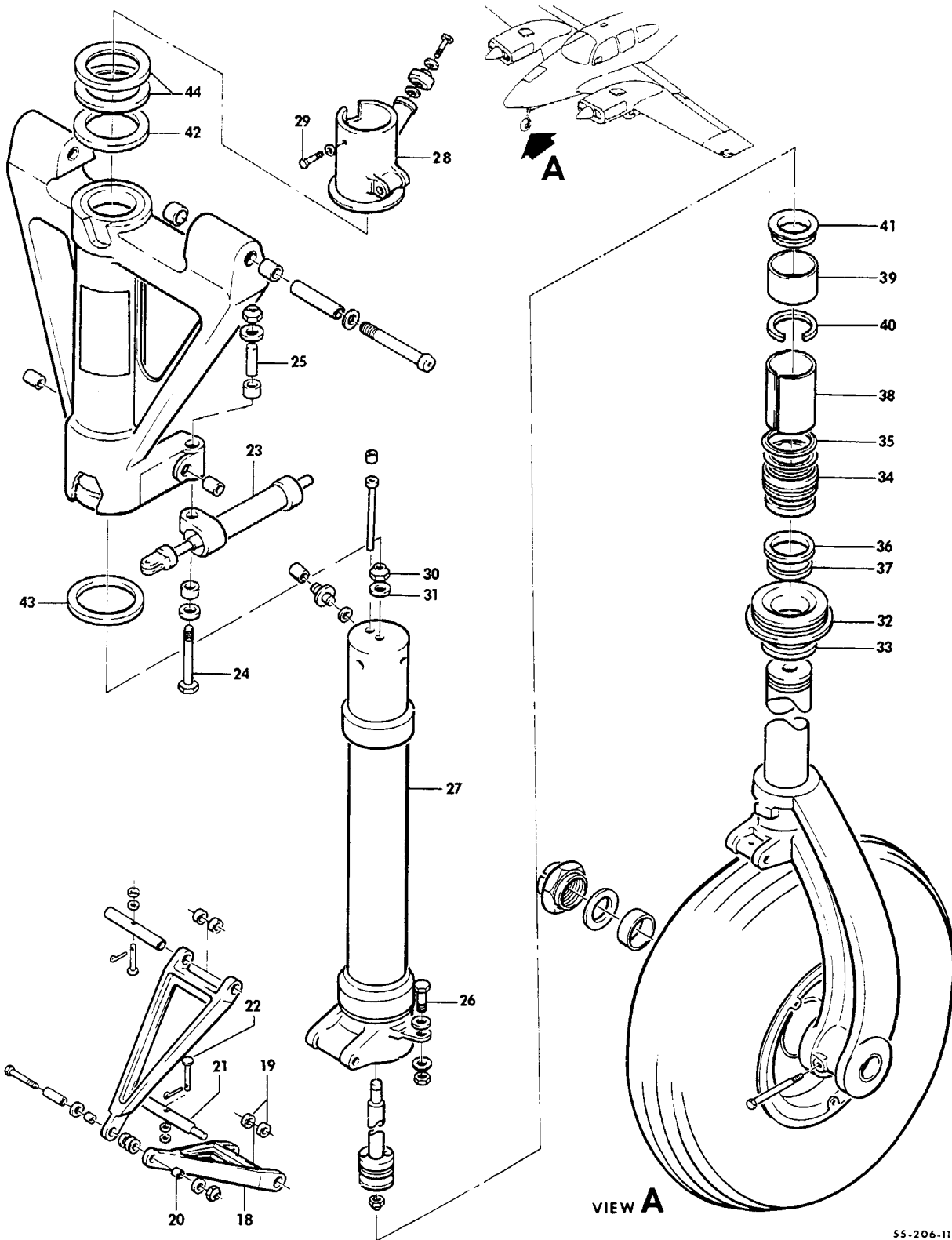
VIEW A

55-206-10

B E E C H C R A F T  
BARON 55  
I L L U S T R A T E D P A R T S C A T A L O G

SUB-SECT UNIT & ITEM NO.	PART NO.	DESCRIPTION							UNITS PER ASSY	USABLE ON CODE
		1	2	3	4	5	6	7		
20-20	96-82000-601	GEAR ASSY,NOSE/COMPLETE/.	.	.	.	.	.	.	1	2
	96-82000-603	GEAR ASSY,NOSE/COMPLETE/.	.	.	.	.	.	.	1	3
	96-82000-605	GEAR ASSY,NOSE/COMPLETE/.	.	.	.	.	.	.	1	4
	96-82000-651	GEAR ASSY,NOSE/LESS TIRE & WHEEL/	.	.	.	.	.	.	1	1
	35-825196-23	WHEEL,TIRE & TUBE ASSY/BALANCED/	.	.	.	.	.	.	1	1
		/ATTACHING PARTS/								
- 1	35-825195-35	BUSHING/SUPERSEDES 95-82000-1/	.	.	.	.	.	.	1	
- 2	95-82000-3	WASHER.	.	.	.	.	.	.	1	
- 3	AN7502-20	NUT	.	.	.	.	.	.	1	
	MS24665-359	PIN,COTTER.	.	.	.	.	.	.	1	
- 4	5.00X5 6P TT	TIRE,6 PLY TUBE TYPE.	.	.	.	.	.	.	1	1
	5.00X5	TUBE,NOSE GEAR TIRE	.	.	.	.	.	.	1	1
- 5	36-8002-1	WHEEL,NOSE GEAR/TUBE TYPE TIRE,SEE.	.	.	.	.	.	.	1	1
		CHAPTER 32-40-10/								
- 6	35-825196-25	CABLE ASSY,STATIC GROUND.	.	.	.	.	.	.	1	1
		/ATTACHING PARTS/								
- 7	96-820011	BOLT.	.	.	.	.	.	.	1	
	AN960-416	WASHER.	.	.	.	.	.	.	1	
	MS20364-428	NUT	.	.	.	.	.	.	1	
- 8	35-820133	CLIP,MOUNTING	.	.	.	.	.	.	1	
- 9	96-820016-3	PISTON AND AXLE ASSY,NOSE GEAR/	.	.	.	.	.	.	1	1
		ORDER 96-820016-15 PISTON & AXLE ASSY/								
	60-820025-9	PISTON ASSY/USED WITH 96-820016-3/.	.	.	.	.	.	.	1	1
	60-820025-11	PISTON ASSY/USED WITH 96-820016-15/	.	.	.	.	.	.	1	1
	96-820019-1	FORK.	.	.	.	.	.	.	1	1
	35-825128-7	AXLE ASSY	.	.	.	.	.	.	1	1
		/ATTACHING PARTS/								
- 10	AN4-24A/M/	BOLT.	.	.	.	.	.	.	1	
	AN960-416	WASHER.	.	.	.	.	.	.	1	
	MS20365-428	NUT	.	.	.	.	.	.	1	
	60-820018	KNEE ASSY,NOSE GEAR UPPER TORQUE.	.	.	.	.	.	.	1	1
		/ATTACHING PARTS/								
- 11	AN4-12/M/	BOLT.	.	.	.	.	.	.	1	
- 12	105739X-YG0820	BUSHING	.	.	.	.	.	.	1	
	AN960C516	WASHER.	.	.	.	.	.	.	2	
	AN960C516L	WASHER.	.	.	.	.	.	.	2	
	AN960PD516L	WASHER.	.	.	.	.	.	.	AR	
	AN960-416	WASHER.	.	.	.	.	.	.	1	
	AN310-4	NUT	.	.	.	.	.	.	1	
	MS24665-134	PIN,COTTER.	.	.	.	.	.	.	1	
- 13	60-820018-1	KNEE,NOSE GEAR UPPER TORQUE	.	.	.	.	.	.	1	1
- 14	06DU03	BUSHING,NOSE GEAR UPPER TORQUE KNEE	.	.	.	.	.	.	2	1
- 15	60-820018-3	BUSHING,NOSE GEAR UPPER TORQUE KNEE	.	.	.	.	.	.	1	1
- 16	60-820029-3	PIN,UPPER KNEE.	.	.	.	.	.	.	1	1
	58-820010	PIN,UPPER KNEE/USED WITH TAXI LIGHT/.	.	.	.	.	.	.	1	1
		/ATTACHING PARTS/								
- 17	MS20392-1C23	PIN/SUPERSEDES AN392-23/.	.	.	.	.	.	.	1	
	AN960-4	WASHER.	.	.	.	.	.	.	AR	
R	AN960-C616	WASHER/NEXT TO PISTON-AXLE & LOWER KNEE/.	.	.	.	.	.	.	2	
	MS24665-132	PIN,COTTER.	.	.	.	.	.	.	1	
	22K2-048	NUT,CAP	.	.	.	.	.	.	2	

BEECHCRAFT  
 BARON SERIALS TC-1 THRU TC-1607, TE-1 THRU TE-937, TE-939 THRU TE-942  
 ILLUSTRATED PARTS CATALOG

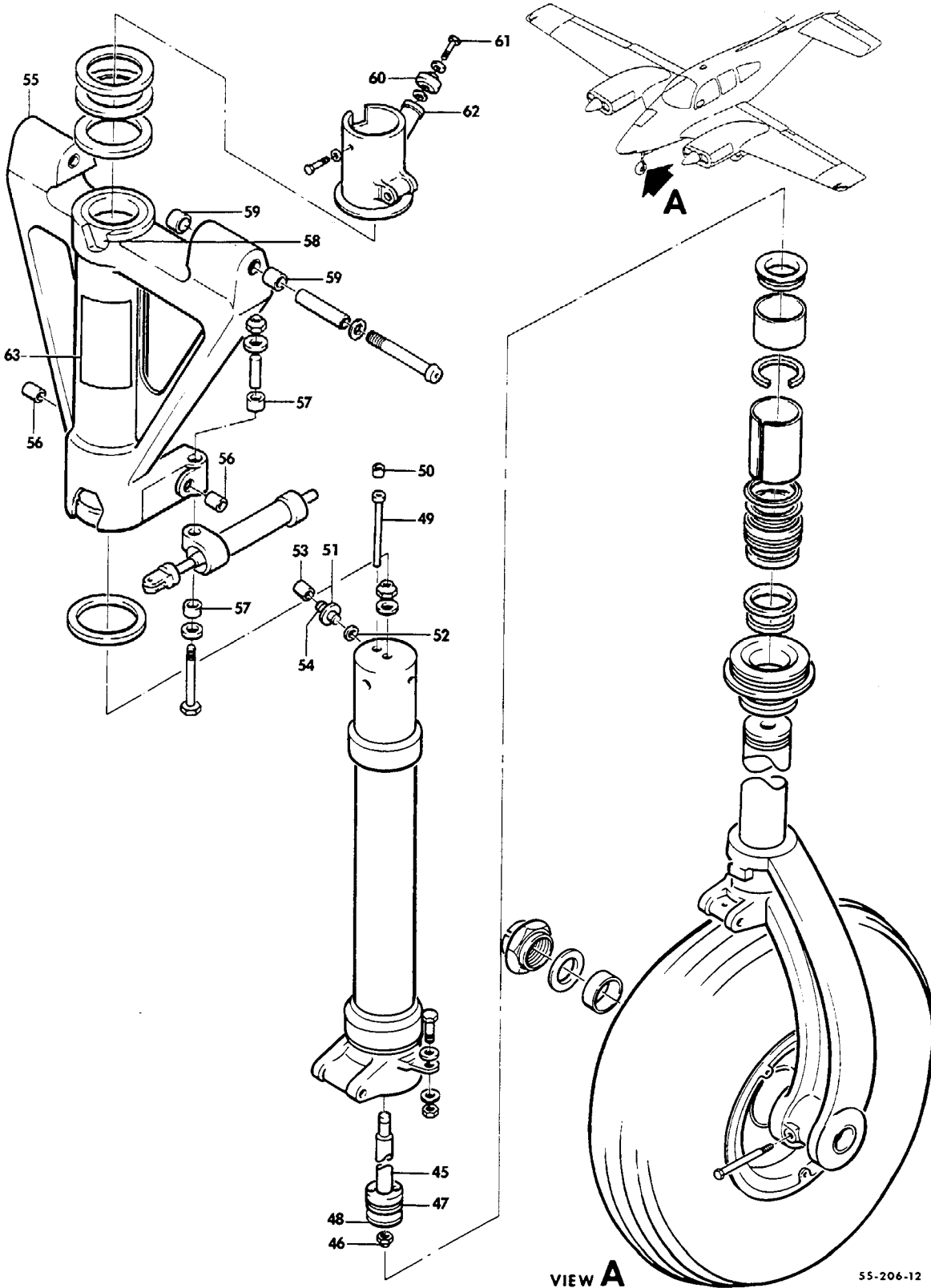


55-206-11

B E E C H C R A F T  
B A R D N 5 5  
I L L U S T R A T E D P A R T S C A T A L O G

SUB-SECT UNIT & ITEM NO.	PART NO.	DESCRIPTION	UNITS PER ASSY	USABLE ON CODE		
					1	2
20-20	96-820020	. KNEE ASSY,NOSE GEAR LOWER TORQUE. . . . .	1	1		
- 18	96-820020-1	. . KNEE,NOSE GEAR LOWER TORQUE . . . . .	1	1		
- 19	06DU08	. . BUSHING,NOSE GEAR LOWER TORQUE KNEE . . . . .	2	1		
- 20	60-820018-3	. . BUSHING,NOSE GEAR LOWER TORQUE KNEE . . . . .	1	1		
- 21	60-820029-1	. PIN,LOWER KNEE. . . . .	1	1		
		/ATTACHING PARTS/				
- 22	MS20392-1C23	. PIN/SUPERSEDES AN392-23/. . . . .	1			
	AN960-4	. WASHER. . . . .	AR			
	AN960C616L	. WASHER. . . . .	2			
	MS24665-132	. PIN,COTTER. . . . .	1			
- 23	R 35-825145-2	. DAMPER ASSY,NOSE LDG SHIMMY/SEE CHAP 32-50-10 /ATTACHING PARTS/	1	1		
- 24	AN6-31A/M/ 100951X031YN	. BOLT. . . . .	1			
		. WASHER. . . . .	4			
- 25	105739S-YP1421	. BUSHING . . . . .	1			
	MS20365-624	. NUT . . . . .	1			
- 26	AN3-6A/M/ AN960-10	. BOLT. . . . .	1			
		. WASHER. . . . .	1			
	AN960-10L	. WASHER. . . . .	1			
	MS20365-1032	. NUT . . . . .	1			
- 27	R 96-820016-17	. HOUSING,NOSE GEAR STRUT . . . . . SPARES FOR 60-820020-1	1	1		
	105740X-ZE0185	. . BUSHING . . . . .	1	1		
- 28	96-820018-3	. RETAINER,UPPER NOSE GEAR STRUT HOUSING. . . . .	1	1		
		/ATTACHING PARTS/				
- 29	AN4H4A/M/ AN960-416L	. BOLT. . . . .	3			
		. WASHER. . . . .	3			
- 30	MS20364-624C	. NUT . . . . .	1			
- 31	7500-3/8	. SEAL,THREAD . . . . .	1			
- 32	60-820054-1	. RETAINER,LOWER NOSE GEAR STRUT. . . . .	1	1		
- 33	504270	. WIPER,NOSE GEAR . . . . .	1	1		
- 34	60-820056	. BEARING,NOSE GEAR LOWER . . . . .	1	1		
- 35	AN623084	. O RING,NOSE GEAR. . . . .	1	1		
- 36	AN6227830	. O RING,NOSE GEAR. . . . .	1	1		
- 37	8-327N300-9	. RING,NOSE GEAR BACKUP . . . . .	2	1		
- 38	60-820065	. SPACER,NOSE GEAR REBOUND TUBE . . . . .	1	1		
- 39	60-820026	. BEARING,NOSE GEAR UPPER . . . . .	1	6		
	60-820026-1	. BEARING,NOSE GEAR UPPER . . . . .	1	7		
- 40	60-820067	. RING,SPACER UPPER PISTON BEARING. . . . .	1	1		
- 41	60-820068	. RETAINER,PISTON BEARING UPPER/MATCHED SET . . . . . USED WITH 96-820016-3 PISTON & AXLE ASSY/	1	1		
	60-820067	. RING,SPACER UPPER PISTON BEARING/USED . . . . . WITH 96-820016-15 PISTON & AXLE ASSY/	1	1		
- 42	60-820032-1	. WASHER,NOSE GEAR BRACE UPPER. . . . .	1	1		
- 43	60-820032-3	. WASHER,NOSE GEAR BRACE LOWER. . . . .	1	1		
- 44	60-820032-5	. SHIM,NOSE GEAR BRACE UPPER. . . . .	2	1		

BEECHCRAFT  
BARON SERIALS TC-1 THRU TC-1607, TE-1 THRU TE-937, TE-939 THRU TE-942  
ILLUSTRATED PARTS CATALOG



VIEW A

55-206-12

B E E C H C R A F T  
BARON 55  
I L L U S T R A T E D P A R T S C A T A L O G

SUB-SECT UNIT & ITEM NO.	PART NO.	DESCRIPTION	1 2 3 4 5 6 7							UNITS PER ASSY	USABLE ON CODE
			1	2	3	4	5	6	7		
20-20	60-820051-5	. ROD ASSY,NOSE GEAR ORIFICE. . . . .								1	1
- 45	60-820051-11	. . ROD,REBOUND CONTROL . . . . . /ATTACHING PARTS/								1	1
	AN960-616L	. . WASHER. . . . .								1	
- 46	MS20364-624C	. . NUT . . . . .								1	
- 47	R 60-820051-7	. . ORIFICE,NOSE GEAR . . . . .								1	1
- 48	60-384016-3	. . RING,NOSE GEAR ORIFICE ROD. . . . .								1	1
	MS28775-025	. . PACKING,NOSE GEAR ORIFICE ROD RING. . . . .								1	1
- 49	60-820064-1	. TUBE,NOSE GEAR FILL/SUPERSEDES 60-820064/ . . . . .								1	1
- 50	9-1406-45	. PLUG,NOSE GEAR FILL TUBE. . . . .								1	1
- 51	35-820125	. VALVE BODY,AIR. . . . .								1	1
- 52	AN622786	. O RING,AIR VALVE. . . . .								1	1
- 53	MS20813-1	. CAP,AIR VALVE . . . . .								1	1
- 54	302D	. CORE,VALVE/SUPERSEDES AN809-1/. . . . .								1	1
	96-820029-7	. BRACE ASSY,NOSE GEAR. . . . .								1	1
- 55	96-820029-5	. . BRACE,NOSE GEAR . . . . .								1	1
- 56	105740X-YD0500	. . BUSHING,NOSE GEAR BRACE LOWER . . . . .								2	1
- 57	105740X-YN0400	. . BUSHING,NOSE GEAR BRACE LOWER . . . . .								2	1
- 58	60-820039	. . BUSHING,NOSE GEAR BRACE . . . . .								2	1
- 59	08DU10	. . BUSHING,NOSE GEAR BRACE UPPER . . . . .								4	1
- 60	NAS505-4J	. BEARING,NOSE GEAR STEERING STRAIGHTENER . . . . . /ATTACHING PARTS/								1	1
- 61	NAS222-20	. SCREW . . . . .								1	
	AN960-416L	. WASHER. . . . .								2	
- 62	100951X250V3	. SPACER. . . . .								1	
	S1452-048	. NUT . . . . .								1	
- 63	96-820031	PLACARD,NOSE GEAR SHOCK ABSORBER. . . . .								1	2
	96-820032	PLACARD,NOSE GEAR SHOCK ABSORBER. . . . .								1	8

CODES OF EFFECTIVITY

1	TE-301 THRU TE-942 EXCEPT TE-938	2	TE-301 THRU TE-405
3	TE-406 THRU TE-767	4	TE-768 THRU TE-942 EXCEPT TE-938
5	TE-301 THRU TE-767	6	TE-301 THRU TE-600
7	TE-601 THRU TE-942 EXCEPT TE-938	8	TE-406 THRU TE-942 EXCEPT TE-938