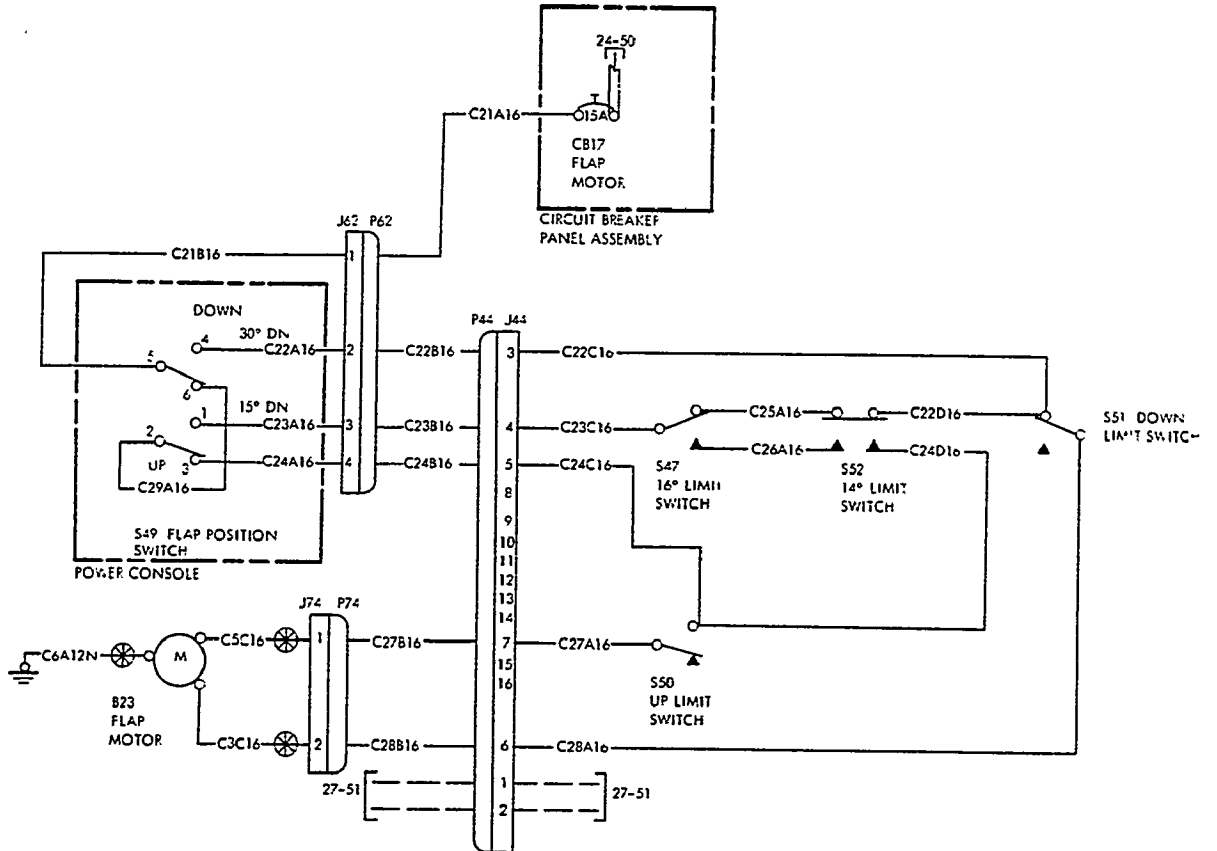


**BEECHCRAFT
BARON E55 AND BARON 58
WIRING DIAGRAM MANUAL**



NOTE: FLAPS ARE SHOWN IN "UP" POSITION.

**FLAPS-MOTOR
FOR SERIAL REFER TO PAGE 1**