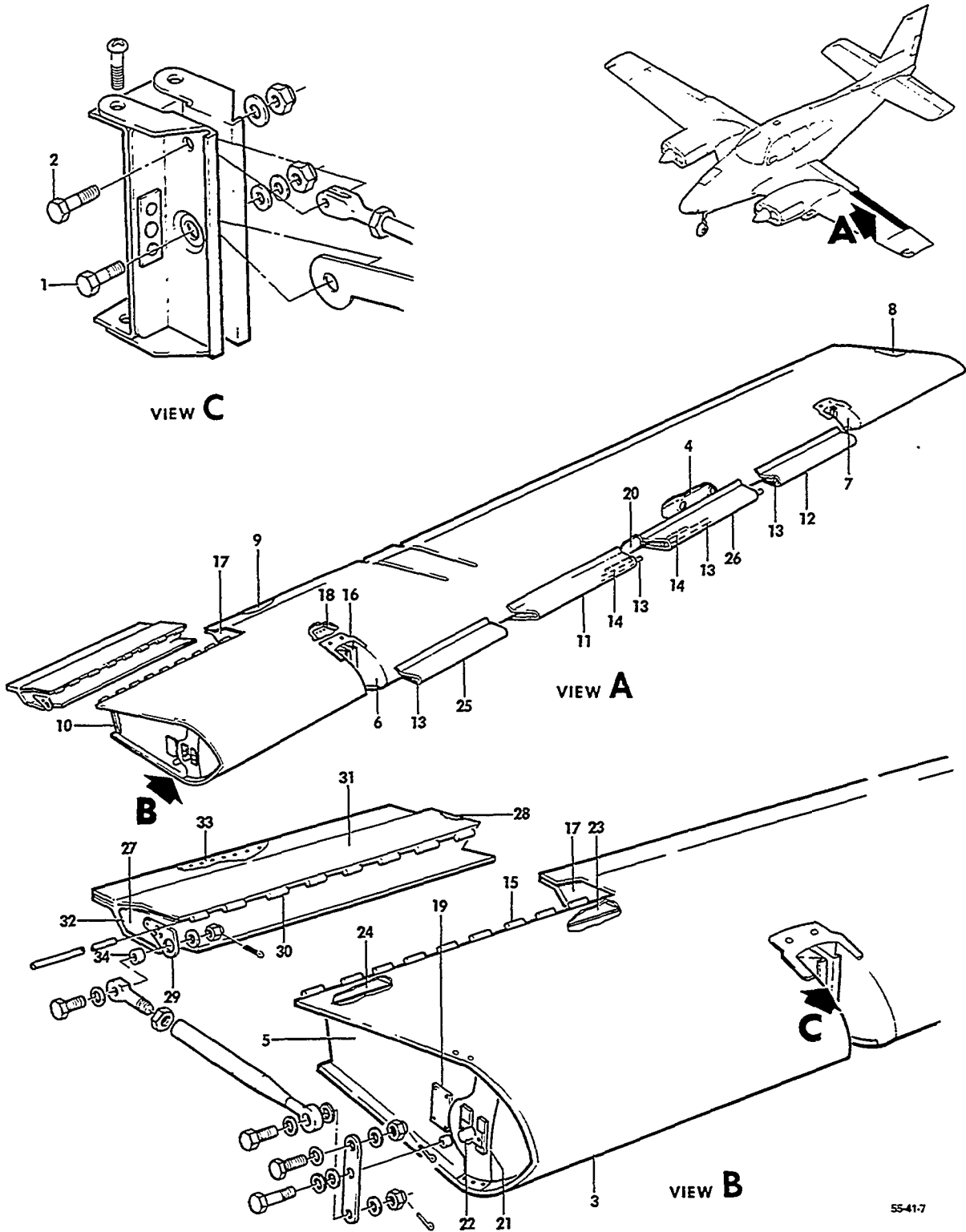


BEECHCRAFT
 BARON SERIALS TC-1 THRU TC-1607, TE-1 THRU TE-937, TE-939 THRU TE-942
 ILLUSTRATED PARTS CATALOG

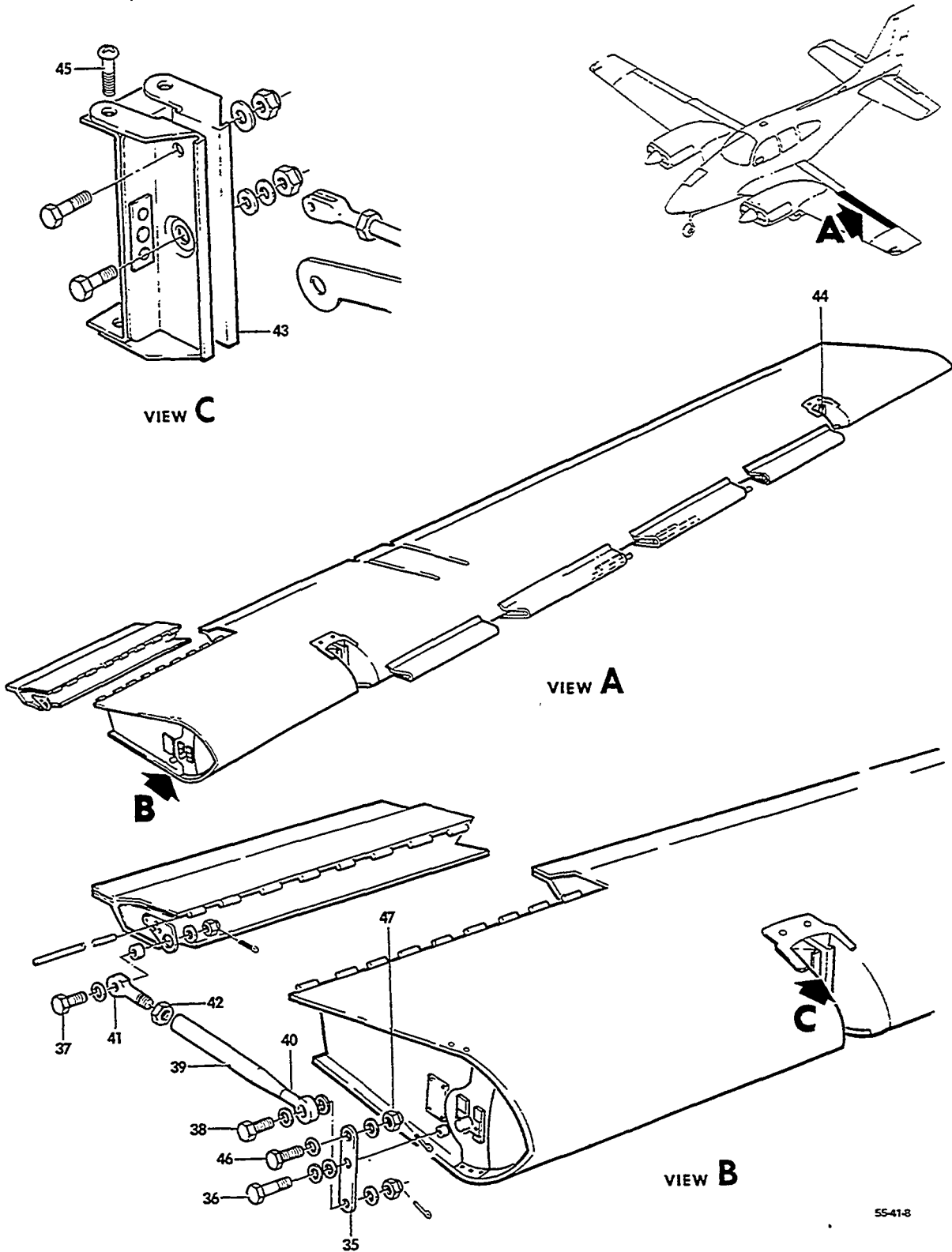


55-41-7

B E E C H C R A F T
BARON 55
I L L U S T R A T E D P A R T S C A T A L O G

SUB-SECT UNIT & ITEM NO.	PART NO.	DESCRIPTION	1 2 3 4 5 6 7							UNITS PER ASSY	USABLE ON CODE
			1	2	3	4	5	6	7		
50-10	45-135030-3	AILERON ASSY, LH/ORDER 45-135030-9/	NP	1
	45-135030-9	AILERON ASSY, LH/COMPLETE/	1	2
	45-135030-5	AILERON ASSY, LH/LESS TAB/ /ATTACHING PARTS/	1	
- 1	AN3-7A/M/ AN960-10	BOLT. WASHER.	2	
	MS20365-1032	NUT	2	
- 2	AN4-10A/M/ AN960-416	BOLT. WASHER.	1	
	MS20365-428	NUT	1	
- 3	R 45-135031-1	. SKIN, LH	1	1
	45-135031-93	. SKIN, LH/SUPERSEDES 45-135031-75/	1	2
- 4	45-135031-3	. SPAR, LH	1	1
	45-135031-77	. BEAM, LH	1	2
- 5	45-135031-53	. RIB, INBD LH	1	
- 6	45-135031-55	. RIB, INBD HINGE	1	
- 7	45-135031-57	. RIB, OUTBD HINGE	1	
- 8	45-135031-59	. RIB, OUTBD LH	1	
- 9	45-135031-13	. SPACER, LH	1	1
	45-135031-79	. SPACER, LH	1	2
- 10	45-135031-15	. CHANNEL, LH	1	1
	45-135031-81	. CHANNEL, LH	1	2
- 11	45-135031-61	. CLIP, LH	1	
- 12	45-135031-63	. CLIP, LH	1	
- 13	45-135031-21	. WEIGHT ASSY	6	
- 14	45-135031-23	. WEIGHT, LH	2	
- 15	45-135031-33	. HINGE/USE 45-135031-91 AS SPARE REPLACEMENT/	1	3
	45-135031-91	. HINGE	1	4
- 16	45-135031-41	. DOUBLER	2	1
	45-135031-83	. DOUBLER	2	2
- 17	45-135031-85	. RIB, LH	1	
- 18	45-135027	. GUSSET	2	
	AN366F1032	. NUTPLATE	8	
- 19	AN7510-1	. PLACARD	1	
- 20	33-130000-11	. DOUBLER	1	
- 21	45-135031-43	. BRACKET	1	
- 22	45-135031-45	. BUSHING	1	
- 23	45-135031-65	. STIFFENER	1	
- 24	45-135031-67	. STIFFENER	1	
- 25	45-135031-69	. CLIP	1	
- 26	45-135031-71	. CLIP	1	
	45-135032	. TAB ASSY, LH AILERON /ATTACHING PARTS/	1	
	45-135030-7	. PIN, AILERON TAB HINGE LH	1	
- 27	45-135032-17	. RIB	1	
- 28	45-135032-19	. RIB	1	
- 29	45-135032-25	. PLATE/SPARES REPLACEMENT FOR 45-135032-9 AND -21 PLATE/	1	
- 30	45-135032-23	. HINGE, TRIM TAB	1	
- 31	45-135032-1	. SKIN, TRIM TAB	1	
- 32	45-135032-3	. SKIN, TRIM TAB	1	
- 33	45-135032-11	. STRIP	1	
- 34	105740X-ZG0109	. BUSHING/USED WITH 45-135032-9 PLATE ONLY/	1	

BEECHCRAFT
BARON SERIALS TC-1 THRU TC-1607, TE-1 THRU TE-937, TE-939 THRU TE-942
ILLUSTRATED PARTS CATALOG



B E E C H C R A F T
 BARON SERIALS TC-1 THRU TC-1607, TE-1 THRU TE-937, TE-939 THRU TE-942
 I L L U S T R A T E D P A R T S C A T A L O G

ATA CODE & INDEX NO.	PART NO.	1 2 3 4 5 6 7	DESCRIPTION	UNITS PER ASSY	USABLE ON CODE
50-10 - 35	45-135039-1	.	ARM	1	
			/ATTACHING PARTS/		
- 36	AN3-10A/M/ AN960D10L	.	BOLT.	1	
	AN960-416	.	WASHER.	1	
	AN960-416L	.	WASHER.	1	
	22A21-22-02	.	NUTPLATE.	1	
	96-520012-1	.	TUBE ASSY,AILERON TAB ADJUSTABLE LH/FOR SPARE REPLACEMENT USE 96-520013-5 TUBE ASSY/ /ATTACHING PARTS/	1	
- 37	AN173-5/M/	.	BOLT.	1	
- 38	NAS1103-4D AN960D10L	.	BOLT.	1	
	AN310-3	.	WASHER.	2	
	MS24665-132	.	NUT	2	
		.	PIN,COTTER/SUPERSEDES AN380-2-2/.	2	
- 39	96-520012-3	.	TUBE,AILERON TAB LH/USED WITH 96-520012-1/.	1	
	96-520013-13	.	TUBE,AILERON TAB LH/USED WITH 96-520013-5/.	1	
- 40	96-520011	.	END,ROD	1	
- 41	96-526012	.	END,ROD	1	
- 42	AN316-4R	.	NUT	1	
- 43	45-135035	.	HINGE ASSY,AILERON INBD LH/SEE CHAPTER.	1	
		.	57-40-01/		
- 44	45-135036	.	HINGE ASSY,AILERON OUTBD LH/SEE CHAPTER	1	
		.	57-40-01/		
			/ATTACHING PARTS/		
- 45	NAS221-9	.	SCREW	8	
	AN960-10L	.	WASHER.	8	
	112105	.	WASHER.	8	
- 46	NAS1103-4D	.	BOLT.	1	
	AN960D10L	.	WASHER.	1	
- 47	AN320-3	.	NUT	1	
	MS24665-132	.	PIN,COTTER.	1	