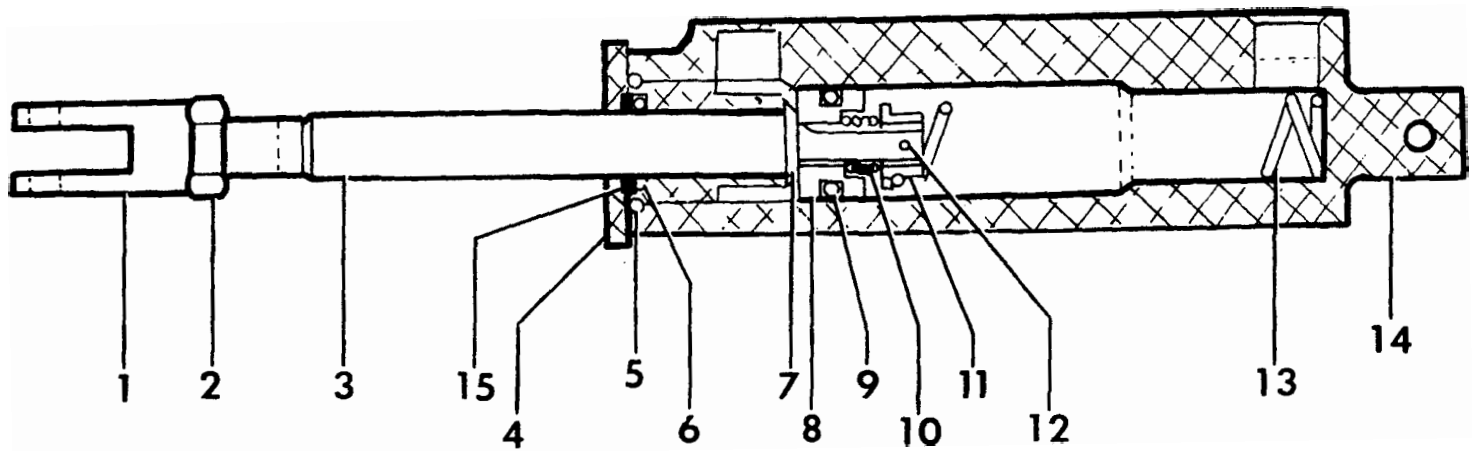


BEECHCRAFT  
ILLUSTRATED PARTS CATALOG

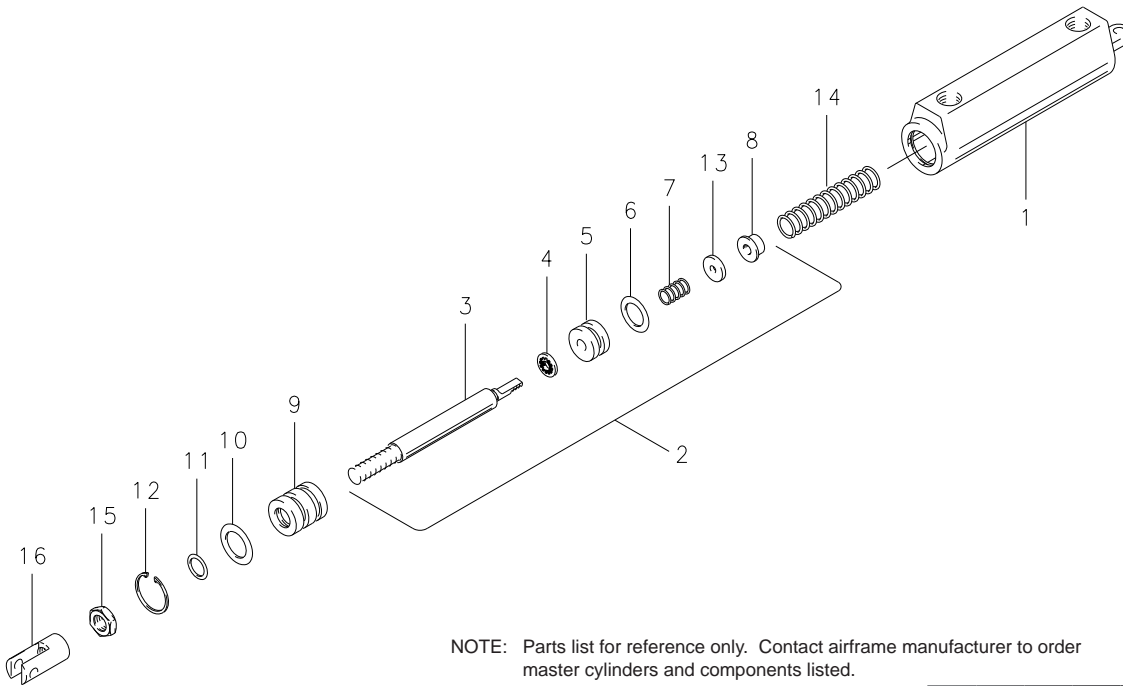
GAMA/ATA CODE & INDEX NO.	PART NO.	DESCRIPTION							UNITS PER ASSY	USABLE ON CODE
		1	2	3	4	5	6	7		
43-01	I69-380100-1	MASTER CYLINDER, BRAKE	.	.	.	.	.	.	NP	
- 1	A193A	• CLEVIS	.	.	.	.	.	.	1	
- 2	AN316-5	• NUT, CHECK	.	.	.	.	.	.	1	
- 3	A2211A5	• SHAFT	.	.	.	.	.	.	1	
- 4	A2305A	• PLUG, END	.	.	.	.	.	.	1	
- 5	MS28775-016	• O RING	.	.	.	.	.	.	1	
- 6	MS28775-012	• O RING	.	.	.	.	.	.	1	
- 7	600-001-10	• STAT-O-SEAL	.	.	.	.	.	.	1	
- 8	A2266A	• PISTON	.	.	.	.	.	.	1	
- 9	MS28775-111	• O RING	.	.	.	.	.	.	1	
- 10	A2213A	• SPRING	.	.	.	.	.	.	1	
- 11	A2162A	• GUIDE, SPRING	.	.	.	.	.	.	1	
- 12	23S062-0375	• PIN, ROLL	.	.	.	.	.	.	1	
- 13	A2111A	• SPRING	.	.	.	.	.	.	1	
- 14	A2304B	• HOUSING	.	.	.	.	.	.	1	
- 15	MS28774-012	• RETAINER	.	.	.	.	.	.	1	



# Illustrated Parts List

# Master Cylinder Push Type

10-55 Beech P/N169-380100-3



NOTE: Parts list for reference only. Contact airframe manufacturer to order master cylinders and components listed.

FIG.	PART NO.	DESCRIPTION	PER ASSY.		
				10-55	
1	144-04700	Cylinder Body			
	144-04800	Cylinder Body		1	
2	182-02800	Piston Rod Assembly			
	182-02801	Piston Rod Assembly			
	182-02802	Piston Rod Assembly			
3	142-05500	Piston Rod			
	142-05300	Piston Rod			
	142-05400	Piston Rod		1	
	142-05502	Piston Rod			
4	095-02600	Stat-O-Seal		1	
5	148-03400	Piston		1	
6	101-00900	O-Ring (MS28775-111)		1	
7	082-05600	Spring		1	
8	145-06500	Guide-Spring		1	
13	067-13300	Spacer			
9	141-02700	Gland-End		1	
10	101-01000	O-Ring (MS28775-112)		1	
11	101-00700	O-Ring (MS28775-012)		1	
12	155-05400	Snap Ring		1	
14	082-06100	Spring-Return		1	
15	094-04300	Nut-Check (AN316-5)		1	
16	143-01000	Clevis		1	
	143-01200	Clevis			
	143-01300	Clevis			

199-516	Repair Kit (4, 6, 10, 11)				1	
---------	---------------------------	--	--	--	---	--

**Cleveland**  
Wheels & Brakes



3