

H

G

F

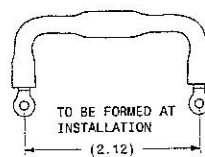
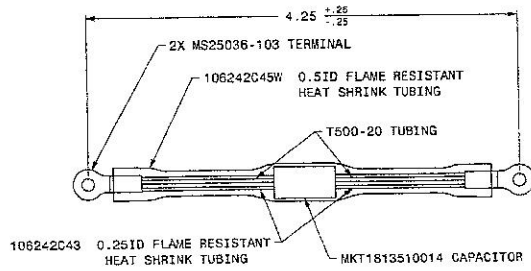
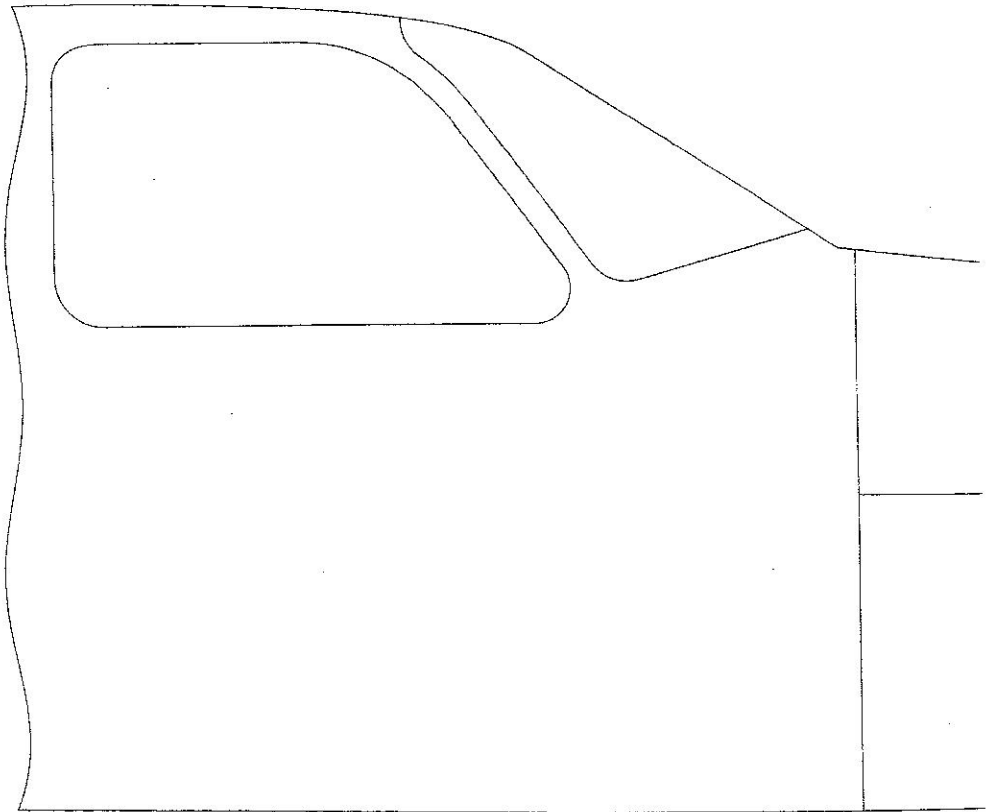
E

D

C

B

A

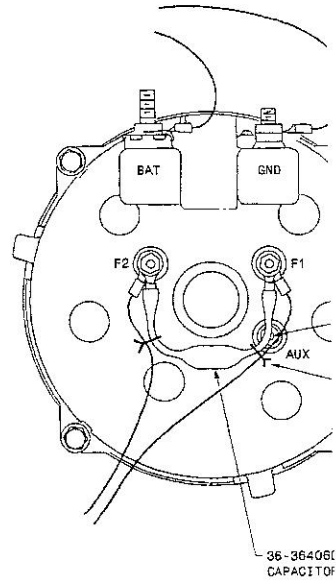


DETAIL B 80  
1

-0001 KIT - ALTERNATOR CAPACITOR

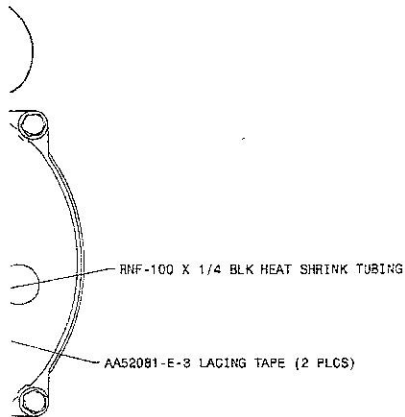
-0003 KIT - ALTERNATOR CAPACITOR

BC  
1  
DETAIL A



DETAIL A <sup>2E</sup><sub>1</sub>

VIEW LOOKING AT ALTERNATOR



10-0001 CAPACITOR ASSEMBLY (FOR -0001)  
OR ASSEMBLY PER DETAIL B (FOR -0003)

SEE DETAIL 

TSA
1

#### INSTALLATION INSTRUCTIONS

1. REVIEW THIS DRAWING IN ITS ENTIRETY BEFORE MAKING ANY MODIFICATIONS TO AIRCRAFT.
2. DISCONNECT THE BATTERY.
3. IF -0001 KIT IS BEING INSTALLED, REMOVE RETAINING NUTS FROM "F1" AND "F2" TERMINALS ON ALTERNATOR. INSTALL 36-364060-0001 CAPACITOR ASSEMBLY ACROSS TERMINALS "F1" AND "F2" AND REINSTALL RETAINING NUTS AND TORQUE TO 15-18 INCH POUNDS.  
COVER "AUX" TERMINAL STUD WITH RNF-100 X 1/4 HEATSHRINK TUBING EXTENDING PAST END OF STUD .25 INCH AFTER SHRINKING. SECURE CAPACITOR ASSEMBLY AND WIRING TOGETHER WITH LACING TAPE APPROX AS SHOWN.  
  
IF -0003 KIT IS BEING INSTALLED, REMOVE RETAINING NUTS FROM "F1" AND "F2" TERMINALS ON ALTERNATOR. FABRICATE CAPACITOR ASSEMBLY AS SHOWN IN DETAIL B REF ZN 15A AND INSTALL ACROSS TERMINALS "F1" AND "F2" AND REINSTALL RETAINING NUTS AND TORQUE TO 15-18 INCH POUNDS.  
COVER "AUX" TERMINAL STUD WITH RNF-100 X 1/4 HEATSHRINK TUBING EXTENDING PAST END OF STUD .25 INCH AFTER SHRINKING. SECURE CAPACITOR ASSEMBLY AND WIRING TOGETHER WITH LACING TAPE APPROX AS SHOWN.
4. RECONNECT BATTERY.
5. MAKE APPROPRIATE LOGBOOK ENTRIES, NOTING THE KIT NUMBER AND SERIAL NUMBER INSTALLED.

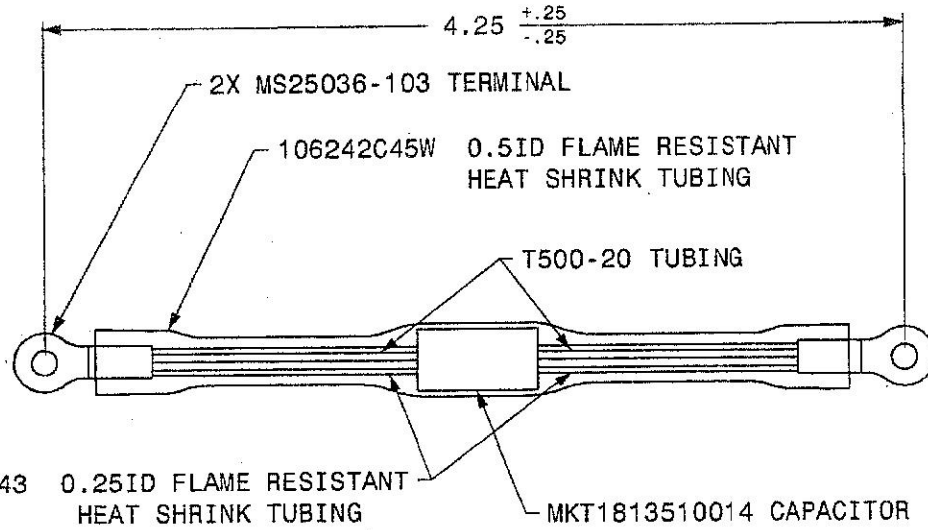
#### NOTES

1. ENGINEERING DATA IN THIS KIT IS FAA APPROVED. PRIOR TO INSTALLATION, OWNERS/OPERATORS OF AIRCRAFT REGISTERED IN COUNTRIES OTHER THAN THE UNITED STATES SHALL CONSULT WITH THEIR LOCAL CIVIL AVIATION AUTHORITY CONCERNING APPROVAL.
2. THIS MODIFICATION IS CLASSIFIED "MINOR" PER 14 CFR 21.93 AND FAA ORDER 8110.52.
3. ALL KITS ARE TO BE ASSIGNED A KIT SERIAL NUMBER.
4. WEIGHT AND BALANCE INFORMATION:  
NEGLIGIBLE WEIGHT AND MOMENT. NO ADJUSTMENT IN THE SHIPSET CUMULATIVE EMPTY WEIGHT AND BALANCE RECORD IS REQUIRED.  
IN ADDITION, COMPLIANCE WITH 14 CFR PART 23.1583(c)(d) MUST BE MAINTAINED (OPERATING LIMITATIONS).

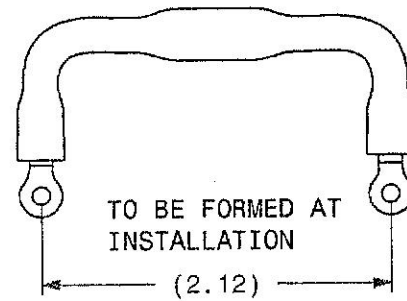
**A** NOT FURNISHED WITH KIT FOR -0003, OBTAIN LOCALLY



C



B



A

DETAIL B 

8D
1

16

15

14

A/R		△	TUBING	T500-20		71002			15A1	
1		△	CAPACITOR	MKT1813510014		4U402			15A1	
2		△	TERMINAL	MS25036-103		81343			15A1	
A/R		△	FLAME RESISTANT HEATSHRINK TUBING	106242C45W		70898			15A1	
6"	6"	△	RNF-100 X 1/4 BLK	HEAT SHRINK TUBING				PERMISSIBLE TO USE BLK OR WHITE HEAT SHRINK TUBING.	8E1	
24"	24"	△	AA52081-E-3	LACING TAPE					8E1	
	1		CAPACITOR ASSEMBLY	36-364060-0001		70898			8D1	
1	1		COPY OF DRAWING	36-3034						
			KIT-ALTERNATOR CAPACITOR		-0003	70898				
			KIT-ALTERNATOR CAPACITOR		-0001	70898				
-0003	-0001	SYM	NOMENCLATURE OR DESCRIPTION	PART NUMBER	DASH NO.	CODE IDENT	SPECIFICATION	MATERIAL OR NOTE	ZONE	
	QTY		LIST OF MATERIALS OR PARTS LIST							

## KIT 36-3034-0001

THIS KIT PROVIDES PARTS AND INFORMATION TO INSTALL A 36-364060-0001 CAPACITOR ASSEMBLY ON THE ALTERNATOR IN BEECHCRAFT MODEL G36 AIRCRAFT.

## KIT 36-3034-0003

### NOTICE

COMPANY KITS, UNLESS OTHERWISE DESIGNATED, ARE FOR INSTALLATION ON COMPANY AIRPLANES IN