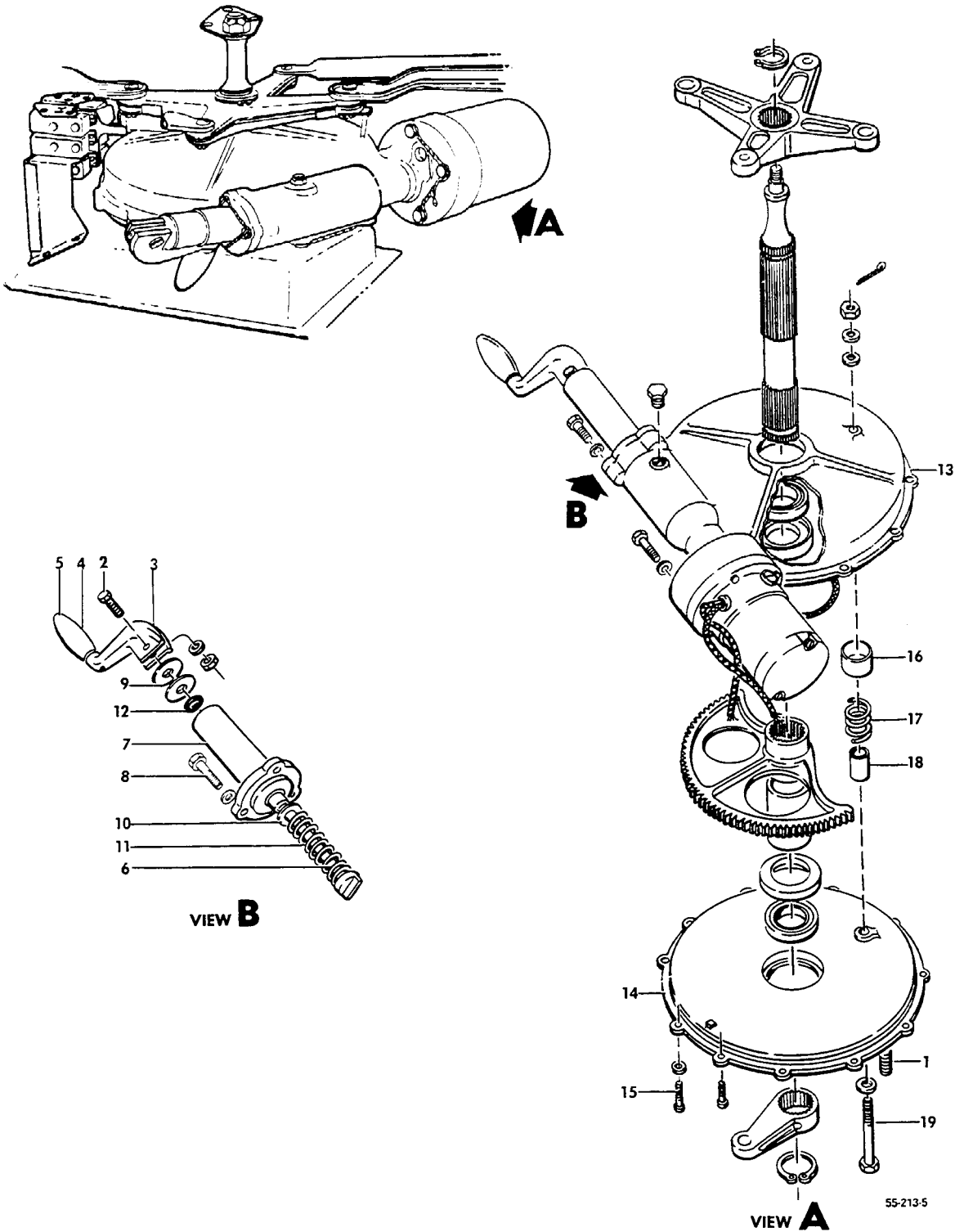


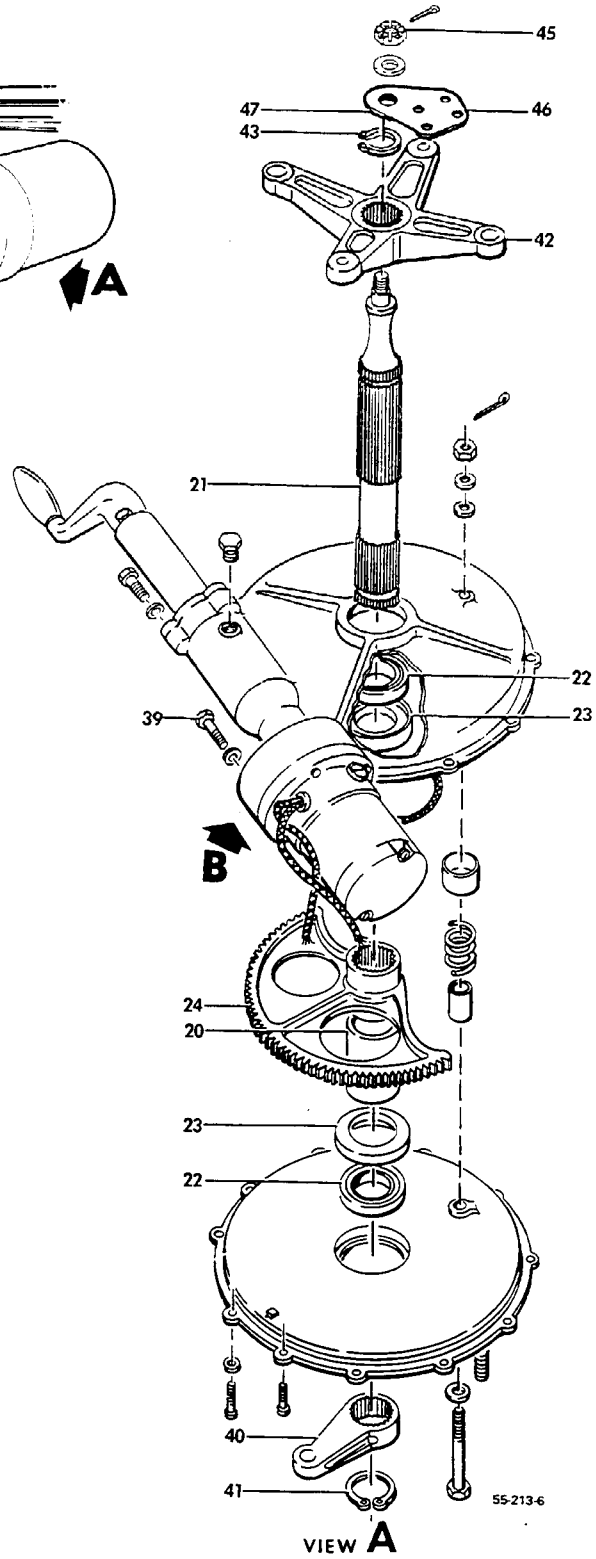
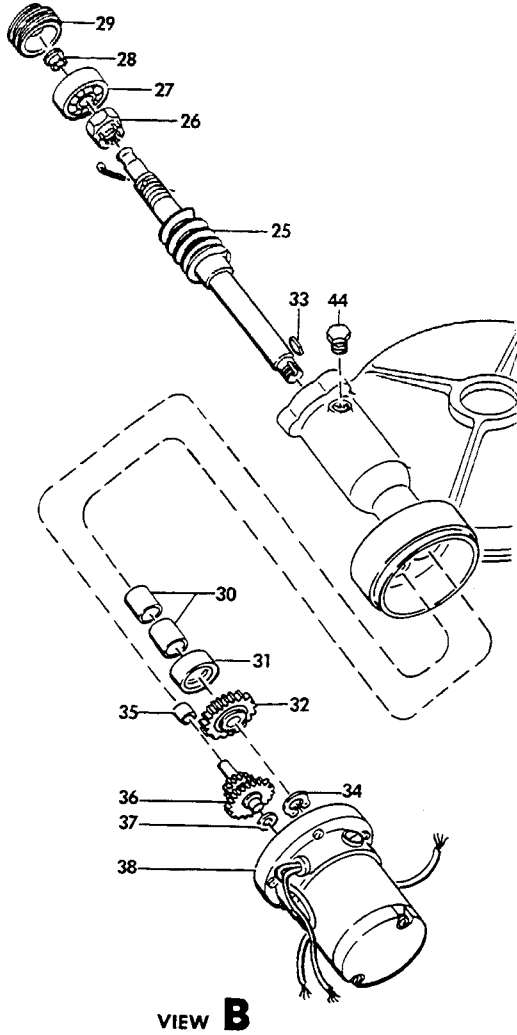
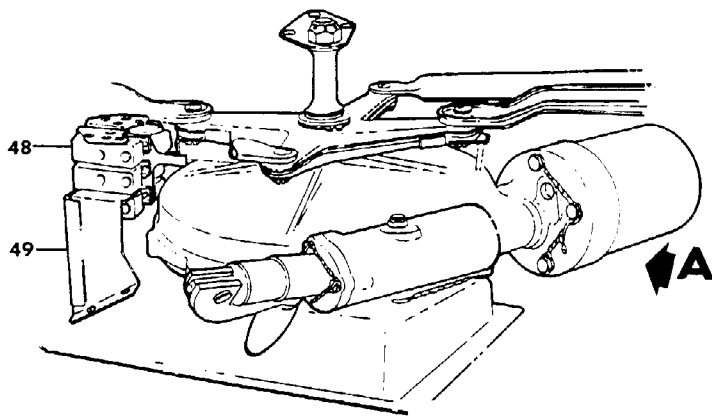
BEECHCRAFT
 BARON SERIALS TC-1 THRU TC-1607, TE-1 THRU TE-937, TE-939 THRU TE-942
 ILLUSTRATED PARTS CATALOG



B E E C H C R A F T
 BARON SERIALS TC-1 THRU TC-1607, TE-1 THRU TE-937, TE-939 THRU TE-942
 I L L U S T R A T E D P A R T S C A T A L O G

ATA CODE & INDEX NO.	PART NO.	DESCRIPTION	UNITS PER ASSY	USABLE ON CODE		
					1	2
30-20	95-810017	ACTUATOR ASSY, LANDING GEAR.	1	1		
	95-810017-5	ACTUATOR ASSY, LANDING GEAR/ORDER 95-810017-11/. /ATTACHING PARTS/	NP	2		
- 1	35-810097	STUD, LANDING GEAR RETRACT	4			
	AN960-416	WASHER.	4			
	MS20365-428	NUT	4			
	35-810094	• CRANK ASSY, LANDING GEAR EMERGENCY EXTENSION . /ATTACHING PARTS/	1			
- 2	AN23-17A/H/	• BOLT.	1			
	AN960-10	• WASHER.	1			
	MS20365-1032	• NUT	1			
- 3	35-810094-2	• • CRANK, HAND.	1			
- 4	35-810094-6	• • HANDLE, HAND CRANK	1			
- 5	AN393-77	• PIN	1			
	AN960-10L	• WASHER.	1			
- 6	35-810095	• SHAFT, HAND CRANK ENGAGING	1			
- 7	35-810142	• HOUSING, HAND CRANK SHAFT.	1			
- 8	AN500A10-10	• SCREW	3			
	AN960-10	• WASHER.	3			
- 9	35-810134	• WASHER/.035 THICK/.	AR			
	35-810134-1	• WASHER/.012 THICK/.	AR			
- 10	100951X063YW	• WASHER.	1			
- 11	35-810075-11	• SPRING.	1			
- 12	AN622789	• O RING.	1			
- 13	35-810141-5	• HOUSING, LANDING GEAR ACTUATOR UPPER	1			
- 14	35-815020	• HOUSING, LANDING GEAR ACTUATOR LOWER /ATTACHING PARTS/	1			
- 15	AN500A10-10	• SCREW	10			
	AN500A10-8	• SCREW	1			
	AN960-10	• WASHER.	11			
- 16	100696X-YD024	• SPACER, GEAR STOP.	1			
- 17	35-810119	• SPRING, GEAR STOP.	1			
- 18	35-810087	• STOP, WORM SECTOR GEAR /ATTACHING PARTS/	1			
- 19	AN5-17/H/	• BOLT.	1			
	AN960-516	• WASHER.	1			
	AN960D516	• WASHER.	2			
	AN310-5	• NUT	1			
	MS24665-132	• PIN, COTTER.	1			

BEECHCRAFT
 BARON 55
 ILLUSTRATED PARTS CATALOG



55-213-6

FIGURE 30-20. LANDING GEAR RETRACT MOTOR AND GEARBOX/SHEET 2 OF 2 SHEETS/

B E E C H C R A F T
BARON 55
I L L U S T R A T E D P A R T S C A T A L O G

SUB-SECT UNIT & ITEM NO.	PART NO.	DESCRIPTION	UNITS PER ASSY	USABLE ON CODE
		1 2 3 4 5 6 7		
30-20 - 20	35-810088	• SPACER, LANDING GEAR ACTUATOR.	1	
- 21	35-810083	• SHAFT, ACTUATOR DRIVE.	1	
- 22	K21B	• BEARING, DRIVE SHAFT	2	
- 23	450273	• SEAL/ALTERNATE FOR 15766/	2	
	15766	• SEAL/ALTERNATE FOR 450273/.	2	
- 24	35-810117	• SECTOR, ACTUATOR WORM.	1	
- 25	35-810076-3	• GEAR, ACTUATOR WORM.	1	
	AN380-3-4	• PIN, COTTER.	1	
- 26	35-810147	• NUT, ACTUATOR WORM GEAR.	1	
- 27	5201KD	• BEARING/ALTERNATE FOR 5201SBKF/	1	
	5201SBKF	• BEARING/ALTERNATE FOR 5201KD/	1	
- 28	35-810077-3	• BUSHING, ACTUATOR WORM GEAR.	2	
- 29	45-810144	• NUT	1	
- 30	B88X	• BEARING	2	
- 31	09916M1	• SEAL.	1	
- 32	35-810136	• GEAR, REDUCTION.	1	
- 33	35-810091	• KEY, WORM DRIVE GEAR	1	
- 34	MS16624-1043	• RING, SNAP	1	
- 35	M471X	• BEARING	1	
- 36	35-810135	• GEAR, SPUR & PINION.	1	
- 37	105090CR032-4E	• WASHER.	1	
- 38	96-380022	• MOTOR ASSY, LANDING GEAR ACTUATOR. /SEE CHAPTER 32-30-30/ /ATTACHING PARTS/	1	
- 39	AN73-15/M/ AN960-10L	• BOLT. • WASHER.	3 3	
- 40	35-825172-2	• ARM, NOSE GEAR ACTUATOR RETRACT.	1	
- 41	NAS51-131	• RING.	1	
- 42	45-810090	• ARM, ACTUATOR RETRACT.	1	
- 43	NAS51-131	• RING.	1	
- 44	45-810071	• PLUG ASSY, WORM GEAR GREASE.	1	1
	5677	• PLUG.	1	2
	AN900-9	• GASKET.	1	
	35-810132	SUPPORT ASSY, LANDING GEAR ACTUATOR UPPER. /ATTACHING PARTS/	1	
	AN960-716	WASHER.	1	
	AN960-516	WASHER.	1	
- 45	AN310-5	NUT	1	
	MS24665-132	PIN, COTTER.	1	
- 46	35-810132-2	• SUPPORT, GEAR ACTUATOR UPPER	1	
- 47	35-810133	• BUSHING, ACTUATOR GEAR SUPPORT	1	
- 48	R 95-364011	SWITCH ASSY, LANDING GEAR LIMIT.	1	
- 49	R 35-364126	BRACKET	1	

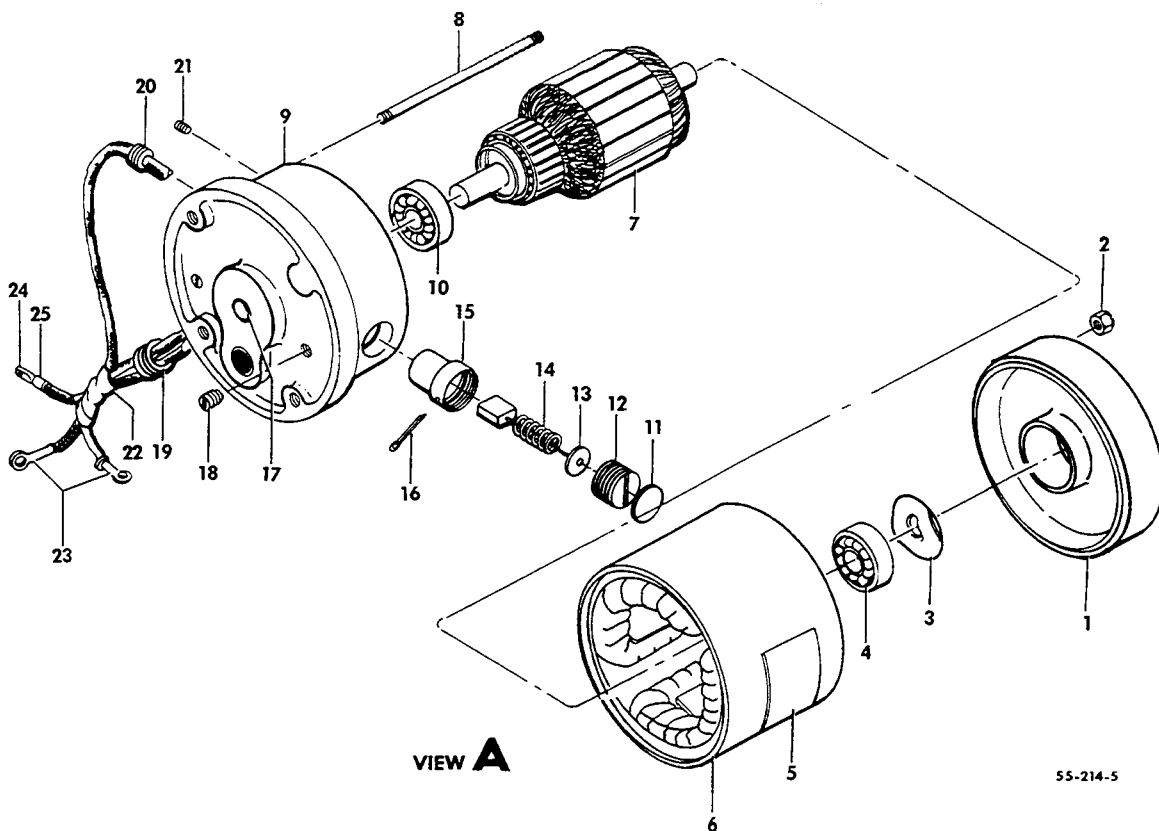
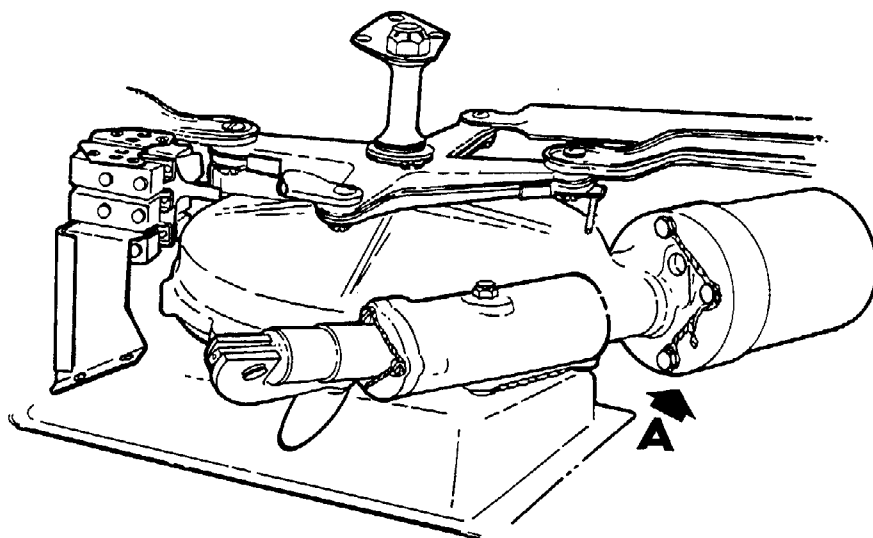
CODES OF EFFECTIVITY

1 TC-1 THRU TC-240 2 TC-241 THRU TC-1607
TE-1 THRU TE-942
EXCEPT TE-938

B E E C H C R A F T
BARON SERIALS TC-1 THRU TC-1607, TE-1 THRU TE-937, TE-939 THRU TE-942
I L L U S T R A T E D P A R T S C A T A L O G

32-30-30
LANDING GEAR RETRACT MOTOR

BEECHCRAFT
 BARON SERIALS TC-1 THRU TC-1607, TE-1 THRU TE-937, TE-939 THRU TE-942
 ILLUSTRATED PARTS CATALOG



55-214-5

FIGURE 30-30. LANDING GEAR RETRACT MOTOR

B E E C H C R A F T
 BARON SERIALS TC-1 THRU TC-1607, TE-1 THRU TE-937, TE-939 THRU TE-942
 I L L U S T R A T E D P A R T S C A T A L O G

ATA CODE & INDEX NO.	PART NO.	DESCRIPTION							UNITS PER ASSY	USABLE ON CODE
		1	2	3	4	5	6	7		
30-30	96-380022	MOTOR ASSY, LANDING GEAR RETRACT	1	
- 1	0-6864	• BRACKET, END	1	
- 2	7469	• NUT	2	
- 3	0-3518	• SPRING, LOAD	2	
	20-2279	• WASHER, SHIM	AR	
- 4	20-7609	• BEARING, BALL	1	
- 5	8047	• NAME PLATE	1	
- 6	27395A	• COIL ASSY, FIELD	1	
- 7	32493A	• ARMATURE ASSY	1	
- 8	10-7888	• STUD	2	
- 9	0-6865	• BRACKET, COMMUTATOR END	1	
- 10	30-7623	• BEARING, BALL	1	
- 11	10-4431	• DISC, FIBER	2	
- 12	5705	• SCREW, BRUSH HOLDER	2	
- 13	0-2497	• WASHER, FIBER	2	
- 14	35175A	• BRUSH & SPRING ASSY	2	
- 15	33107A	• BRUSH HOLDER ASSY	2	
- 16	MS24665-138	• PIN, COTTER	2	
- 17	20-7642	• BEARING, NEEDLE	1	
- 18	7978	• SCREW, SET	2	
- 19	0-3896	• BUSHING, CORD	1	
- 20	0-3883	• BUSHING, CORD	1	
- 21	10-7822	• SCREW, SET	2	
	8058	• PIN, DRIVE	2	
- 22	39109A	• HARNESS ASSY	1	
- 23	0-5114	• LUG, TERMINAL	2	
- 24	0-5113	• LUG, TERMINAL	1	
- 25	20-3841	• SLEEVE	3	