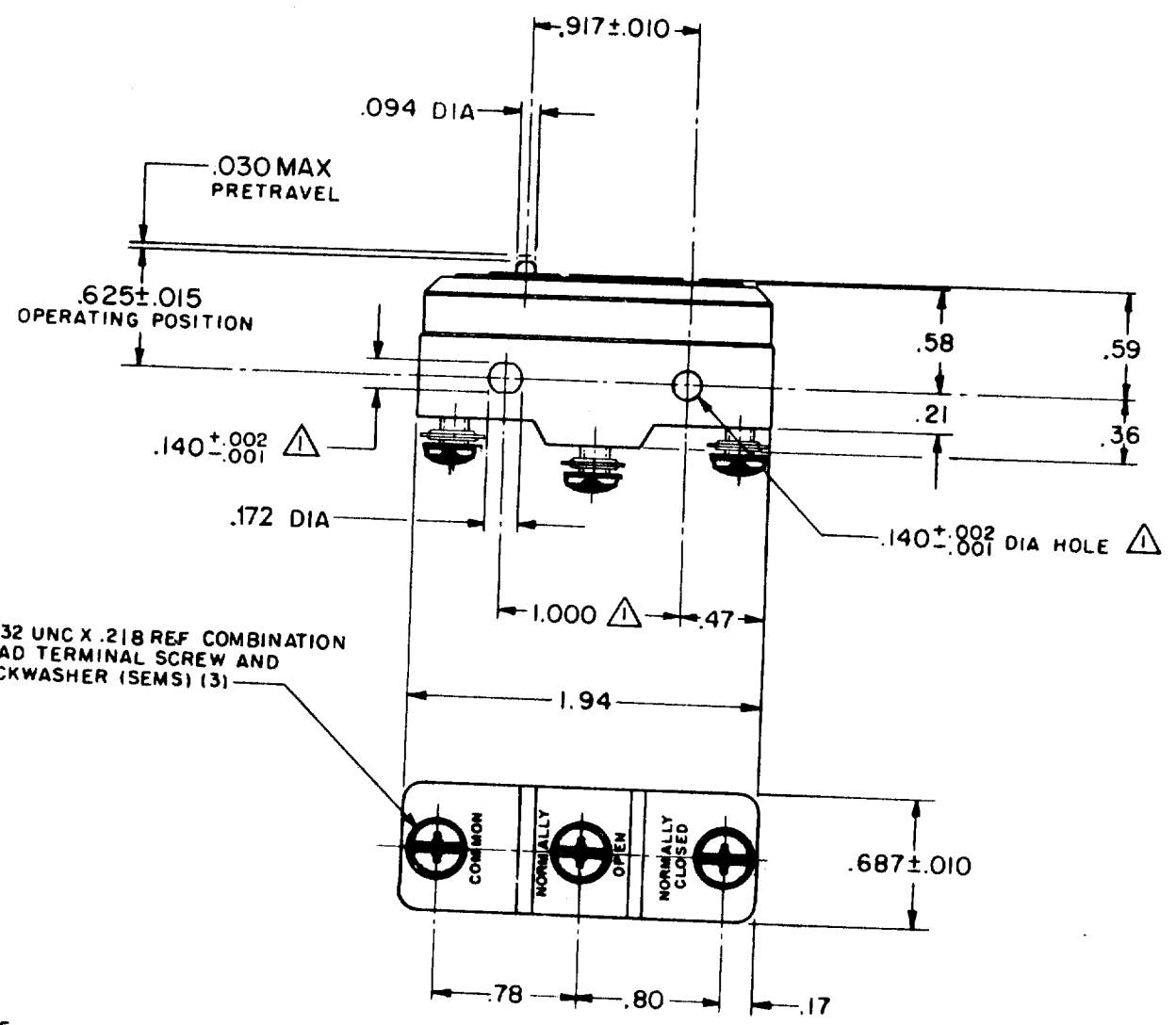


FED. MFG. CODE 91929



NOTE -  
 ▲ - MOUNTING HOLES WILL ACCEPT PINS OR SCREWS  
 OF .139 MAX DIA ON  $1.000 \pm 0.002$  CENTERS


REPLACES		M BZ-R31	
DRAWING NUMBER		M BZ-R31	
ISSUE	DATE	ISSUE	DATE
1	10/16/64	1	10/16/64
REVISIONS			
A	CO 15200	HBW 3 FEB 64	
B	CO 19782	M B F 30 DEC 64	
C	CO 20409	OMW 30 JUL 65	
D	CO 20463	WEG 11-AUG 68	
E	CO 48767	Y M M 7 JAN 81	
F	CO 69351	J W P 16 JUL 91	
G	CO 77589	K D R 29 MAR 94	
DRAWN		CHECK	
HBW 3 FEB 64		LSD 14 FEB 64	
FO-50378			

THIS DRAWING COVERS A PROPRIETARY ITEM AND IS THE PROPERTY OF MICRO SWITCH, A DIVISION OF MINNEAPOLIS-HONEYWELL REGULATOR CO. THIS DRAWING IS NOT TO BE COPIED OR USED WITHOUT THE APPROVAL OF MICRO SWITCH.

**CHARACTERISTICS**

OPERATING FORCE	22-28 OZ
RELEASE FORCE	4 OZ MIN
DIFFERENTIAL TRAVEL	.0025-.0050
OVERTRAVEL	.005 MIN

**ELECTRICAL DATA**

CONTACT ARRANGEMENT S P D T	
UNDERWRITERS' LAB. INC. LISTED RATING	
⑧ -L96-	15 A-125, 250, OR 480 VAC
	1/2 A-125 VDC; 1/4 A-250 VDC
	1/8 HP-125 VAC; 1/4 HP-250 VAC
	

**SCALE FULL**  
 DO NOT SCALE PRINT

UNLESS OTHERWISE NOTED  
 DIMENSIONS ARE IN INCHES  
**TOLERANCES ARE:**  
 ONE PLACE (.0) ±.030  
 TWO PLACE (.00) ±.015  
 THREE PLACE (.000) ±.005  
 ANGLES ±

WEIGHT .060 LB