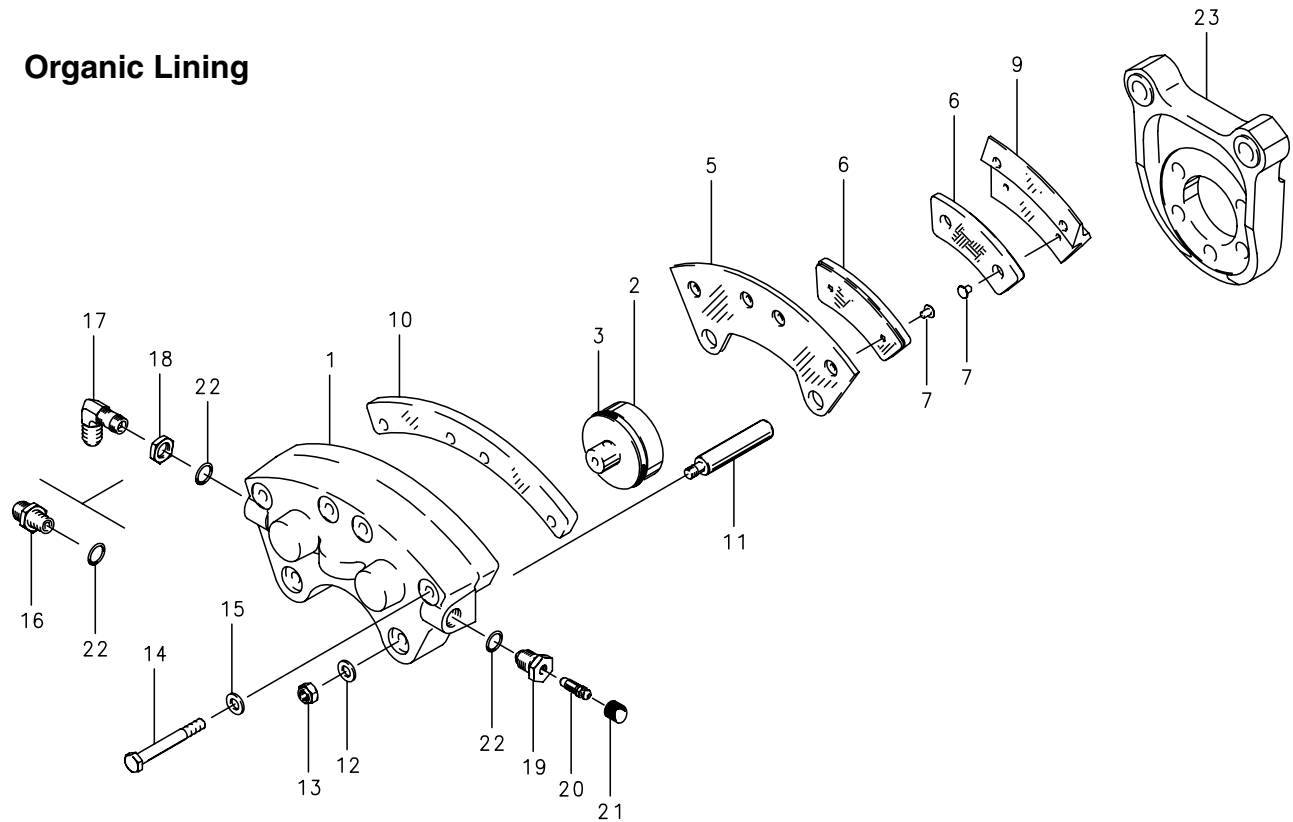


30-66A, 30-66B

Organic Lining



4

FIG.	PART NO.	DESCRIPTION	PER ASSY.	
			30-66A	30-66B
	091-03500	Cylinder Assembly		1
	091-05200	Cylinder Assembly	1	
1	061-02200	Cylinder	1	1
	092-01600	Piston Assembly	2	2
2	062-01500	Piston	2	2
3	101-02700	O-Ring (MS28775-222)	2	2
4	073-02100	Pressure Plate Assembly	1	1
5	063-01400	Pressure Plate	1	1
6	066-11000	Lining	2	2
7	105-00200	Rivet	4	4
8	074-01700	Back Plate Assembly	2	2
9	064-01700	Back Plate	2	2
6	066-11000	Lining	2	2
7	105-00200	Rivet	4	4
10	068-02500	Shim-Back Plate	1	1

FIG.	PART NO.	DESCRIPTION	PER ASSY.	
			30-66A	30-66B
11	069-00400	Anchor Bolt	2	2
12	095-10200	Washer (AN960-416L)	2	2
13	094-10300	Nut (MS21044-N4)	2	2
14	103-11800	Bolt	4	4
15	095-10400	Washer (AN960-416)	4	4
16	104-00200	Fitting (AN815-4D)	1	
17	104-02300	Fitting (AN833-4D)		1
18	094-90500	Nut (AN924-4D)		1
19	081-00200	Seat-Bleeder	1	1
20	079-00300	Screw-Bleeder	1	1
21	183-00100	Cap-Bleeder	1	1
22	101-00700	O-Ring (MS28775-012)	2	2
23	075-08800	Torque Plate Assembly	1	
	075-09800	Torque Plate Assembly		1

Illustrated Parts List

30-66, 30-66C, 30-66D, 30-66F, 30-66G, 30-66H, 30-69A, 30-69B, 30-74B

Metallic Lining

Catalog AWBPC0001-7/USA

Illustrated Parts List

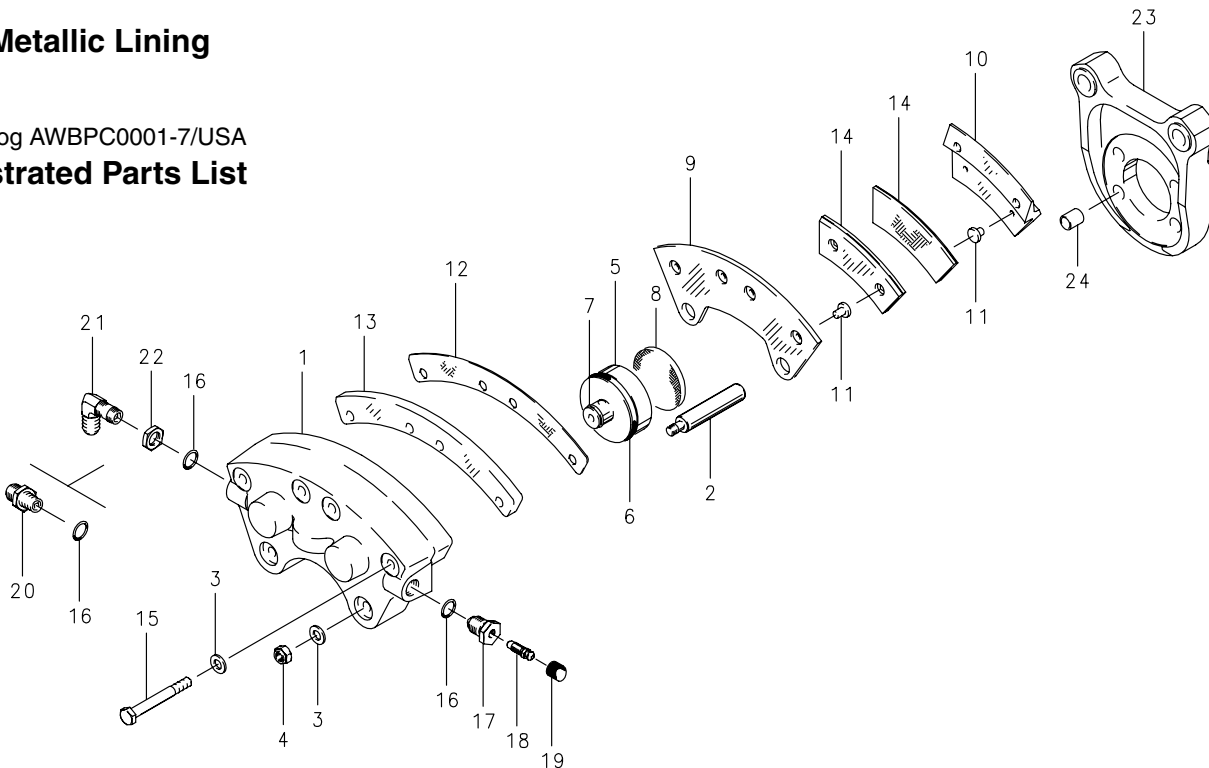


FIG.	PART NO.	DESCRIPTION	PER ASSY.								
			30-66 (1)	30-66C	30-66D (2) (3)	30-66F	30-66G	30-66H	30-69A	30-69B	30-74B
	091-02700	Cylinder Assembly	1								
	091-02701	Cylinder Assembly							1		
	091-02900	Cylinder Assembly		1							
	091-04200	Cylinder Assembly								1	
	091-06500	Cylinder Assembly			1			1			
	091-12500	Cylinder Assembly				1					
	091-13200	Cylinder Assembly									1
	091-15400	Cylinder Assembly						1			
1	061-02200	Cylinder	1	1	1		1	1	1	1	
	061-06100	Cylinder									1
	061-09500	Cylinder				1					
2	069-00400	Anchor Bolt	2	2	2	2	2	2	2	2	
	069-01900	Anchor Bolt									2
3	095-10200	Washer (AN960-416L)	6	6	6	6	6	6	6	6	6
4	094-10300	Nut (MS21044-N4)	2	2	2	2	2	2	2	2	2
	092-01800	Piston Assembly	2	2			2		2		2
	092-02000	Piston Assembly			2	2			2		2
5	062-01700	Piston	2	2			2		2		
	062-01800	Piston			2	2		2		2	2
6	101-02700	O-Ring (MS28775-222)	2	2	2	2	2	2	2	2	2
7	082-02000	Spring-Friction			2	2		2		2	2
8	088-00100	Insulator	2	2	2	2	2	2	2	2	2

(Continued on next page)

Illustrated Parts List

30-66, 30-66C, 30-66D, 30-66F, 30-66G, 30-66H, 30-69A, 30-69B, 30-74B

Metallic Lining

(Continued from previous page)

FIG.	PART NO.	DESCRIPTION	PER ASSY.								
			30-66 (1)	30-66C	30-66D (2) (3)	30-66F	30-66G	30-66H	30-69A	30-69B	30-74B
	073-01300	Pressure Plate Assembly	1	1	1	1	1	1	1	1	
	073-03300	Pressure Plate Assembly									1
9	063-01400	Pressure Plate	1	1	1	1	1	1	1	1	1
	074-01200	Back Plate Assembly	2	2	2	2	2	2	2	2	
	074-02800	Back Plate Assembly									2
10	064-01700	Back Plate	2	2	2	2	2	2	2	2	2
11	177-00300	Pin-Lining	8	8	8	8	8	8	8	8	8
12	068-01700	Shim-Insulator	1	1	1	1	1	1	1	1	1
13	068-02500	Shim-Back Plate		1							
	066-02200	Lining		4	4			4	4	4	
14	066-04400	Lining	4			4					
	066-06700	Lining									4
	066-09700	Lining					4				
15	103-11600	Bolt									4
	103-11700	Bolt	4		4	4	4	4	4	4	
	103-11800	Bolt		4							
16	101-00600	O-Ring (MS28775-011)				1					
	101-00700	O-Ring (MS28775-012)	2	2	2		2	2	2	2	1
17	081-00200	Seat-Bleeder	1	1	1		1	1	1	1	1
	081-00500	Seat-Bleeder				1					
18	079-00300	Screw-Bleeder	1	1	1	1	1	1	1	1	1
19	183-00100	Cap-Bleeder	1	1	1	1	1	1	1	1	1
20	104-00200	Fitting (AN815-4D)	1				1		1	1	
	104-02200	Fitting (AN919-2D)			1			1			
21	104-02300	Fitting (AN833-4D)		1							
22	094-90500	Nut (AN924-4D)		1							
	075-04000	Torque Plate Assembly	1				1				
	075-05100	Torque Plate Assembly							1		
	075-05700	Torque Plate Assembly								1	
23	075-09900	Torque Plate Assembly		1							
	(4)	Torque Plate Assembly			1						
	075-12000	Torque Plate Assembly									1
	075-14700	Torque Plate Assembly				1					
	075-19800	Torque Plate Assembly						1			
24	145-02700	Bushing			2						
	145-14700	Bushing						2			

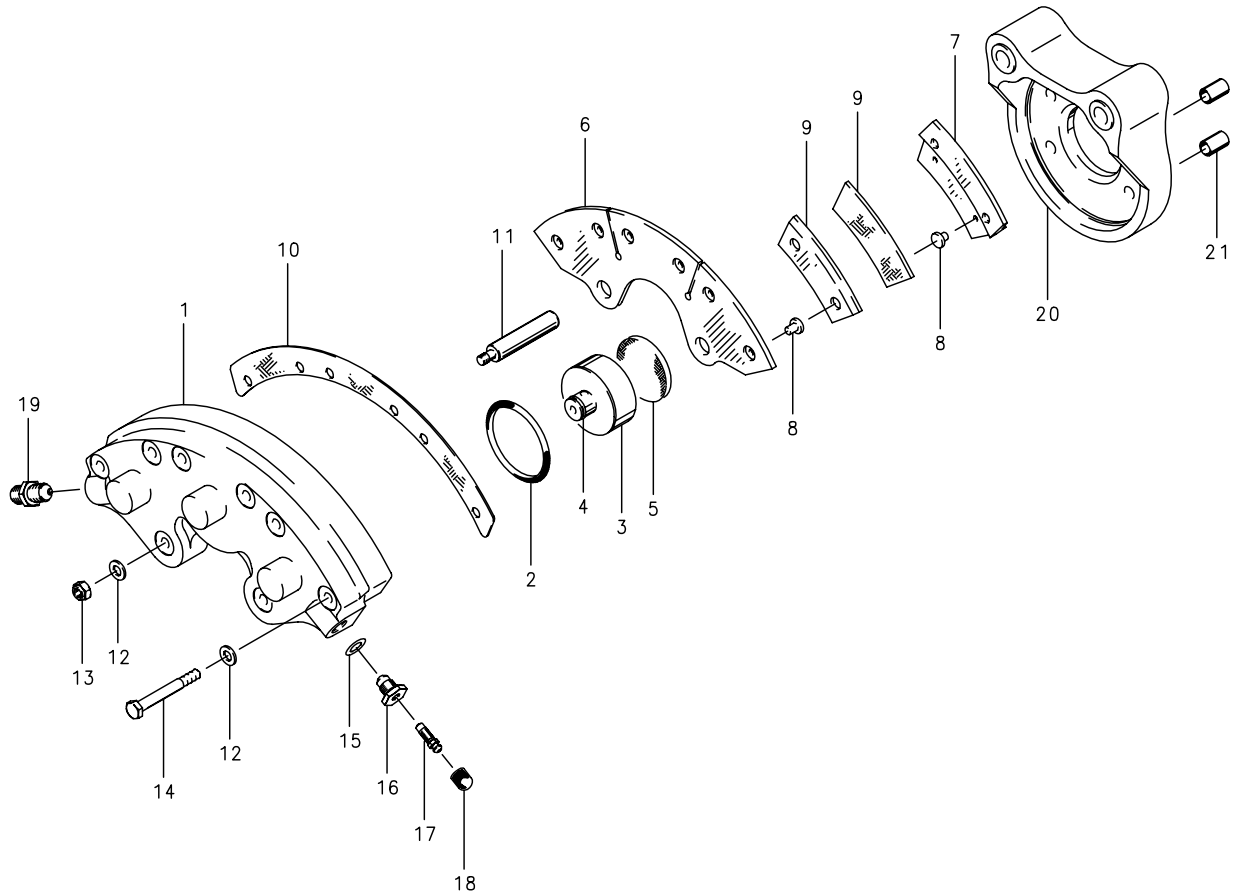
NOTES:

- (1) Assemblies manufactured after 12/76 use 066-04400 lining, was 066-02200.
- (2) Inactive assembly – spares support only for parts listed.
- (3) 30-66D superseded by 30-66H per SB7053
- (4) Inactive part – no longer available for spares support.



30-93, 30-93A, 30-93B, 30-93C, 30-93D, 30-93E, 30-145

Metallic Lining



Illustrated Parts List

30-93, 30-93A, 30-93B, 30-93C, 30-93D, 30-93E, 30-145

Metallic Lining

FIG.	PART NUMBER	DESCRIPTION	QTY. PER ASSY.							
			A	B	C	D	E	F	G	
	091-06800	Cylinder Assy.		1						
	091-06801	Cylinder Assy.	1		1		1			
	091-13700	Cylinder Assy.								1
	091-15500	Cylinder Assy.				1				
	091-19600	Cylinder Assy.							1	
1	061-05200	Cylinder		1						
	061-05201	Cylinder	1		1	1	1			
	061-10500	Cylinder								1
	061-14900	Cylinder							1	
2	101-23200	O-Ring (MS28775-132)	3	3	3	3	3	3	3	3
	092-02800	Piston Assy.	3	3	3	3	3	3	3	3
3	062-02600	Piston	3	3	3	3	3	3	3	3
4	082-02000	Friction Ring	3	3	3	3	3	3	3	3
5	088-00100	Insulator	3	3	3	3	3	3	3	3
	073-02500	Pressure Plate Assy.	1	1	1	1	1	1	1	
	073-06100	Pressure Plate Assy.								1
6	063-02400	Pressure Plate	1	1	1	1	1	1	1	1
	074-01200	Back Plate Assy.	3	3	3	3	3	3	3	
	074-04600	Back Plate Assy.								3
7	064-01700	Back Plate	3	3	3	3	3	3	3	
	064-03900	Back Plate								3
8	177-00300	Pin-Lining	12	12	12	12	12	12	12	12
	066-02200	Lining		6						
9	066-04400	Lining	6		6		6	6		
	066-09700	Lining				6				6
10	068-02700	Shim-Insulator	1	1	1	1	1	1	1	1
11	069-00400	Anchor Bolt	2	2	2	2	2			2
	069-02500	Anchor Bolt							2	
12	095-10200	Washer (AN960-416L)	8	8	8	8	8	2		8
	095-14600	Washer (MS14144-4)							6	
13	094-10300	Nut (MS21044-N4)	2	2	2	2	2	2	2	2
14	103-11700	Bolt	6	6	6	6	6			6
	103-85500	Bolt (MS21250H04-026)							6	
15	101-00700	O-Ring (MS28775-012)	1	1	1	1	1	2		1
16	081-00200	Seat-Bleeder	1	1	1	1	1	1	1	1
17	079-00300	Screw-Bleeder	1	1	1	1	1	1	1	1
18	183-00100	Cap-Bleeder	1	1	1	1	1	1	1	1
19	104-02200	Fitting (AN919-2D)							1	
20	075-10900	Torque Plate Assy.		1						
	075-10901	Torque Plate Assy.	1							
	075-12700	Torque Plate Assy.			1	1				
	075-15400	Torque Plate Assy.								1
	075-18700	Torque Plate Assy.							1	
21	145-13600	Bushing							2	

Assy. Number

- A) 30-93
- B) 30-93A
- C) 30-93B
- D) 30-93C
- E) 30-93D (1) (2)
- F) 30-93E
- G) 30-145

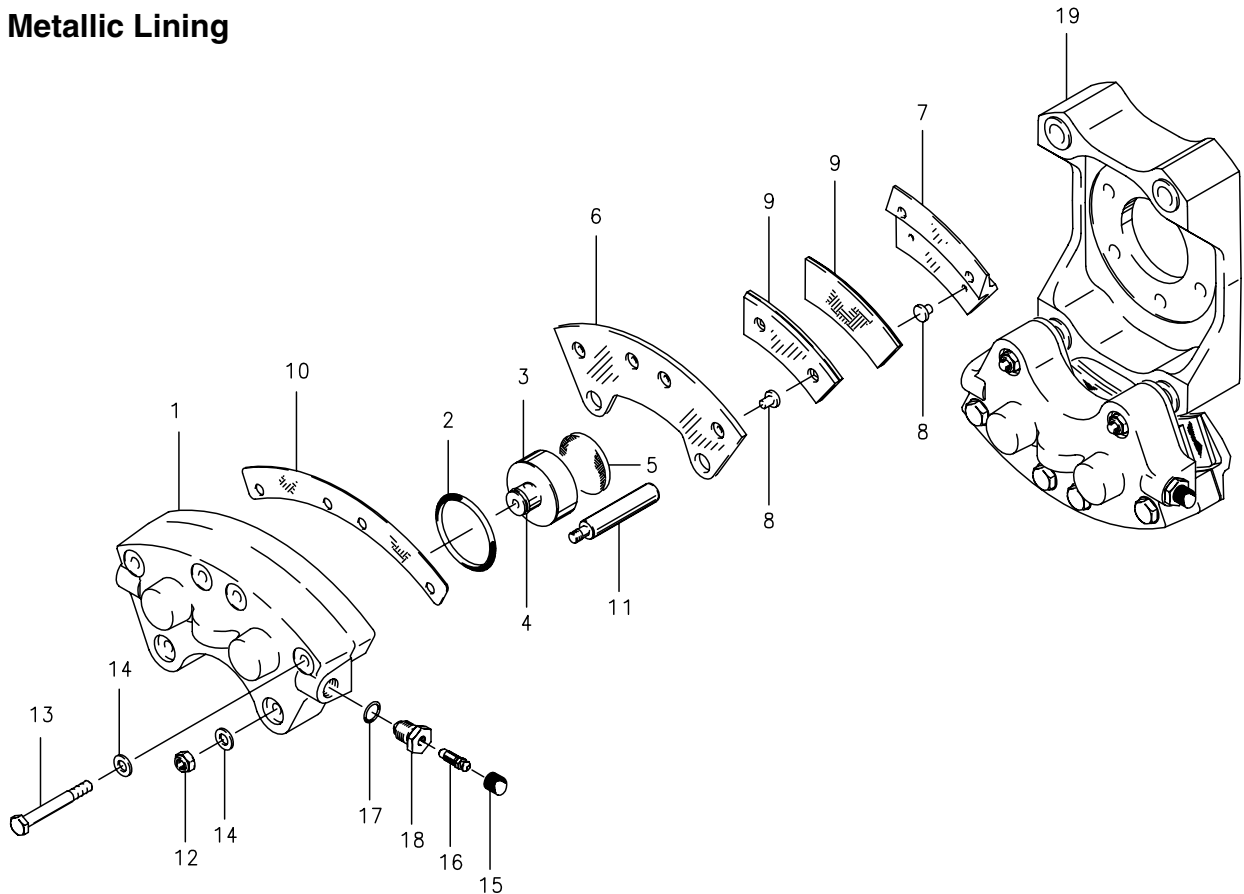
NOTES:

- (1) Uses 075-17700 for left hand brake and 075-17750 for right hand brake.
- (2) When reordering, specify LH or RH.



30-88

Metallic Lining



Assy. Number

A) 30-88

NOTES:

- (1) Uses 075-10100 Torque Plate for left hand Brake; 075-10150 Torque Plate for right hand Brake – order separately from airframe manufacturer.

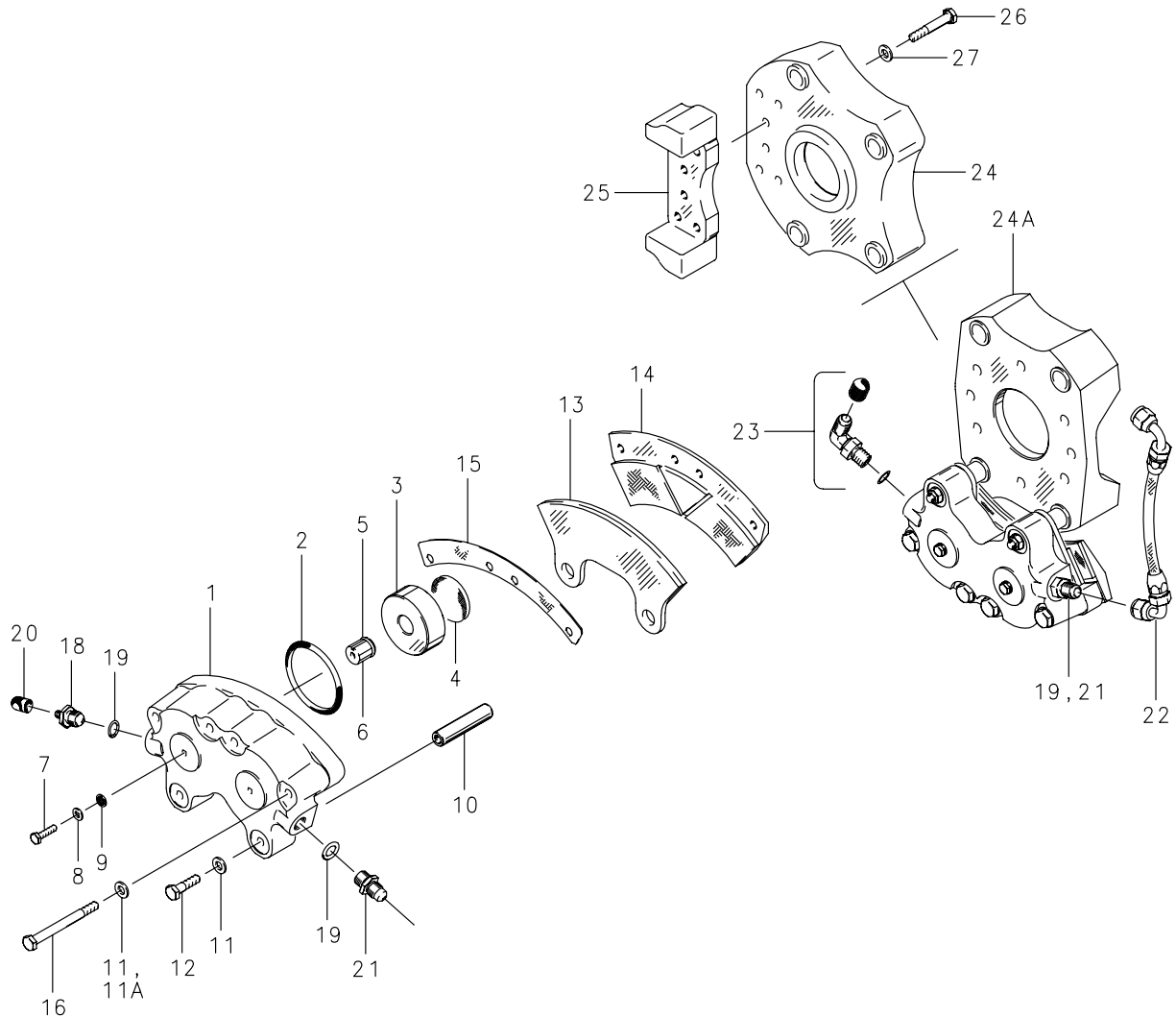
FIG.	PART NUMBER	DESCRIPTION	QTY. PER ASSY. A
	091-06200	Cylinder Assy.	2
1	061-04800	Cylinder	2
2	101-02700	O-Ring (MS28775-222)	4
	092-02600	Piston Assy.	4
3	062-02500	Piston	4
4	082-02000	Spring-Friction	4
5	088-00200	Insulator	4
	073-01300	Pressure Plate Assy.	2
6	063-01400	Pressure Plate	2
	074-01200	Back Plate Assy.	4
7	064-01700	Back Plate	4
8	177-00300	Pin	16
9	066-02200	Lining	8
10	068-01700	Shim-Insulator	2
11	069-00400	Anchor Bolt	4
12	094-10300	Nut (MS21044-N4)	4
13	103-11800	Bolt	8
14	095-10200	Washer (AN960-416L)	12
15	183-00100	Cap-Bleeder	2
16	079-00300	Screw-Bleeder	2
17	101-00700	O-Ring (MS28775-012)	2
18	081-00200	Seat-Bleeder	
19	075-10100	Torque Plate Assy. (Ref.)	Note (1)
	075-10150	Torque Plate Assy. (Ref.)	Note (1)

This page intentionally left blank

4

30-146, 30-146A, 30-220

Metallic Lining



Illustrated Parts List

30-146, 30-146A, 30-220

Metallic Lining

FIG.	PART NO.	DESCRIPTION	PER ASSY.		
			30-146	30-1146A	30-220
	091-14000	Cylinder Assembly	2	2	
	091-20600	Cylinder Assembly			2
1	061-10700	Cylinder	2	2	2
2	101-26500	O-Ring (MS28775-225)	4	4	4
	092-05200	Piston Assembly	4	4	4
3	062-05600	Piston	4	4	4
4	088-00200	Insulator	4	4	4
5	082-02000	Friction Spring	4	4	4
6	139-09300	Piston Guide	4	4	4
7	103-00100	Bolt (AN3-5A)	4	4	4
8	095-10800	Washer (AN960-10L)	4	4	4
9	095-02600	Stat-O-Seal	4	4	4
10	069-02000	Anchor Bolt	4	4	
	069-02700	Anchor Bolt			4
11	095-10200	Washer (AN960-416L)	12	12	4
11A	095-14300	Washer (MS20002C4)			8
12	103-10100	Bolt (AN4H5A)	4	4	4
13	066-09100	Pressure Plate/Lining Assembly	2	2	
	066-13500	Pressure Plate/Lining Assembly			2
14	066-09200	Back Plate/Lining Assembly	2	2	
	066-13700	Back Plate/Lining Assembly			2
15	068-04100	Shim-Insulator	2	2	2
16	103-11800	Bolt	8	8	
	103-85500	Bolt (MS21250H04026)			8
17	081-00200	Seat-Bleeder	1	1	1
18	079-00300	Screw-Bleeder	1	1	1
19	101-24600	O-Ring	3	3	3
20	183-00100	Cap-Bleeder	1	1	1
21	104-04900	Fitting	2	2	2
22	207-01600	Hose Assembly	1		1
	207-00400	Hose Assembly		1	
23	104-03100	Fitting	1		1
24A	075-17300	Torque Plate Assembly		1	
24	075-16200	Torque Plate Assembly	1		1
	075-16201	Torque Plate (1)	1		1
25	110-05800	Torque Backup Plate	1		1
26	103-10300	Bolt (AN4-10A)	6		6
27	095-10400	Washer (AN960-416)	6		6

NOTES:

- (1) 075-16201 Torque Plate is for spares replacement only. It does not include item 25, 110-05800 Torque Backup Plate; item 26, 103-10300 Bolts; or item 27, 095-10400 Washers.

