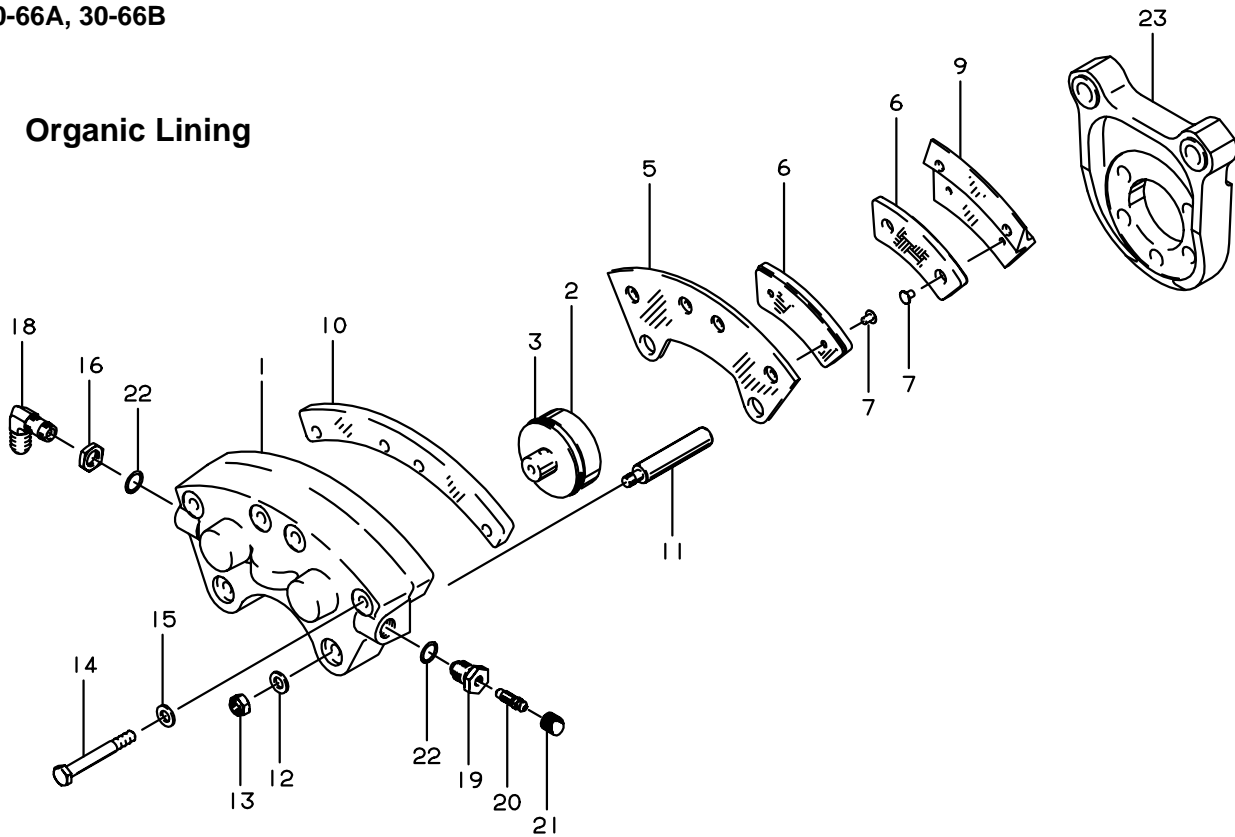


30-66A, 30-66B

Organic Lining



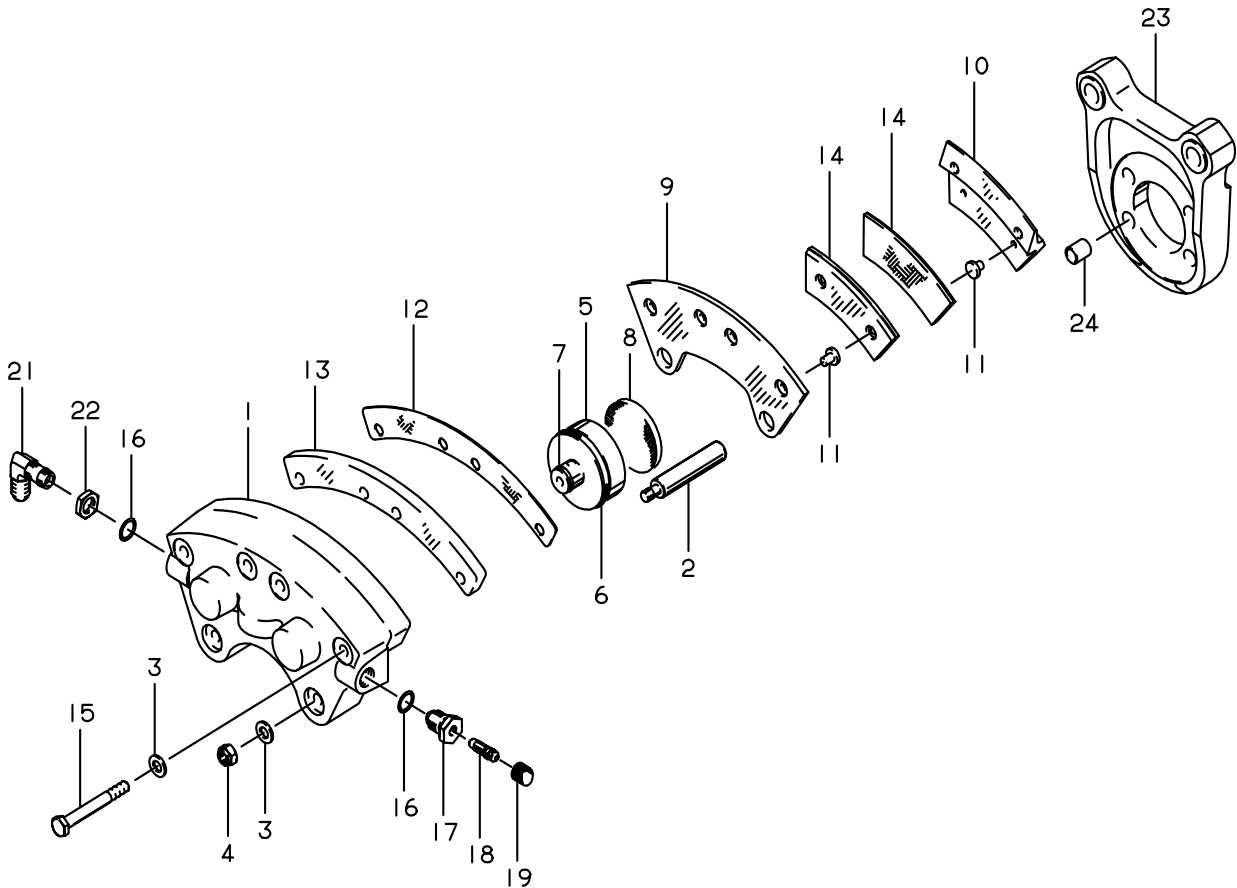
Assy. Number

- A) 30-66A
- B) 30-66B

FIG.	PART NUMBER	DESCRIPTION	QTY. PER ASSY.	
			A	B
	091-03500	Cylinder Assy.		1
	091-05200	Cylinder Assy.	1	
1	061-02200	Cylinder	1	1
	092-01600	Piston Assy.	2	2
2	062-01500	Piston	2	2
3	101-02700	O-Ring (MS28775-222)	2	2
4	073-02100	Pressure Plate Assy.	1	1
5	063-01400	Pressure Plate	1	1
6	066-11000	Lining	2	2
7	105-00200	Rivet	4	4
8	074-01700	Back Plate Assy.	2	2
9	064-01700	Back Plate	2	2
	066-11000	Lining	2	2
	105-00200	Rivet	4	4
10	068-02500	Shim-Back Plate	1	1
11	069-00400	Anchor Bolt	2	2
12	095-10200	Washer (AN960-416L)	2	2
13	094-10300	Nut (MS21044-N4)	2	2
14	103-11800	Bolt	4	4
15	095-10400	Washer (AN960-416)	4	4
16	104-00200	Fitting (AN815-4D)	1	
17	104-02300	Fitting (AN833-4D) 90		1
18	094-90500	Nut (AN924-4D)		1
19	081-00200	Seat-Bleeder	1	1
20	079-00300	Screw-Bleeder	1	1
21	183-00100	Cap-Bleeder	1	1
22	101-00700	O-Ring (MS28775-012)	2	2
23	075-08800	Torque Plate Assy.	1	
	075-09800	Torque Plate Assy.		1

30-66, 30-66C, 30-66D, 30-66F, 30-66G, 30-66H, 30-69A, 30-69B, 30-74B

Metallic Lining



30-66, 30-66C, 30-66D, 30-66F, 30-66G, 30-66H, 30-69A, 30-69B, 30-74B

Metallic Lining

FIG.	PART NUMBER	DESCRIPTION	QTY. PER ASSY.								
			A	B	C	D	E	F	G	H	I
	091-02700	Cylinder Assy.	1						1		
	091-04200	Cylinder Assy.								1	
	091-06500	Cylinder Assy.			1			1			
	091-12500	Cylinder Assy.				1					
	091-13200	Cylinder Assy.									1
1	061-02200	Cylinder	1	1	1		1	1	1	1	
	061-06100	Cylinder									1
	061-09500	Cylinder				1					
2	069-00400	Anchor Bolt	2	2	2	2	2	2	2	2	
	069-01900	Anchor Bolt									2
3	095-10200	Washer (AN960-416L)	6	6	6	6	6	6	6	6	6
4	094-10300	Nut (MS21044-N4)	2	2	2	2	2	2	2	2	2
	092-01800	Piston Assy.	2	2			2		2		2
	092-02000	Piston Assy.			2	2		2		2	2
5	062-01700	Piston	2	2			2		2		
	062-01800	Piston			2	2		2		2	2
6	101-02700	O-Ring (MS28775-222)	2	2	2	2	2	2	2	2	2
7	082-02000	Spring-Friction			2	2		2		2	2
8	088-00100	Insulator	2	2	2	2	2	2	2	2	2
	073-01300	Pressure Plate Assy.	1	1	1	1	1	1	1	1	
	073-03300	Pressure Plate Assy.									1
9	063-01400	Pressure Plate	1	1	1	1	1	1	1	1	1
	074-01200	Back Plate Assy.	2	2	2	2	2	2	2	2	
	074-02800	Back Plate Assy.									2
10	064-01700	Back Plate	2	2	2	2	2	2	2	2	2
11	177-00300	Pin-Lining	8	8	8	8	8	8	8	8	8
12	068-01700	Shim-Insulator	1	1	1	1	1	1	1	1	1
13	068-02500	Shim-Back Plate		1							
14	066-02200	Lining		4	4			4	4	4	
	066-04400	Lining	4			4					
	066-06700	Lining									4
	066-09700	Lining					4				
15	103-11600	Bolt									4
	103-11700	Bolt	4		4	4	4	4	4	4	
	103-11800	Bolt		4							
16	101-00600	O-Ring (MS28775-011)				1					
	101-00700	O-Ring (MS28775-012)	2	2	2		2	2	2	2	1
17	081-00200	Seat-Bleeder	1	1	1		1	1	1	1	1
	081-00500	Seat-Bleeder				1					
18	079-00300	Screw-Bleeder	1	1	1	1	1	1	1	1	1
19	183-00100	Cap-Bleeder	1	1	1	1	1	1	1	1	1
20	104-00200	Fitting (AN815-4D)	1				1		1	1	
	104-02200	Fitting (AN919-2D)			1			1			
21	104-02300	Fitting (AN833-4D)		1							
22	094-90500	Nut (AN924-4D)		1							
23	075-04000	Torque Plate Assy.	1				1				
	075-05100	Torque Plate Assy.							1		
	075-05700	Torque Plate Assy.								1	
	075-09900	Torque Plate Assy.		1							
	(4)	Torque Plate Assy.			1						
	075-12000	Torque Plate Assy.									1
24	075-14700	Torque Plate Assy.				1					
	075-19800	Torque Plate Assy.					1				
	145-02700	Bushing			2						
	145-14700	Bushing					2				

Assy. Number

- A) 30-66 (1)
- B) 30-66C
- C) 30-66D (2) (3)
- D) 30-66F
- E) 30-66G
- F) 30-66H
- G) 30-69A
- H) 30-69B
- I) 30-74B

NOTES:

- (1) Assemblies manufactured after 12/76 use 066-04400 lining, was 066-02200.
- (2) Inactive assembly – spares support only for parts listed.
- (3) 30-66D superseded by 30-66H per [SB7053](#)
- (4) Inactive part – no longer available for spares support.

