

INSTALLATION  
SECTION 2

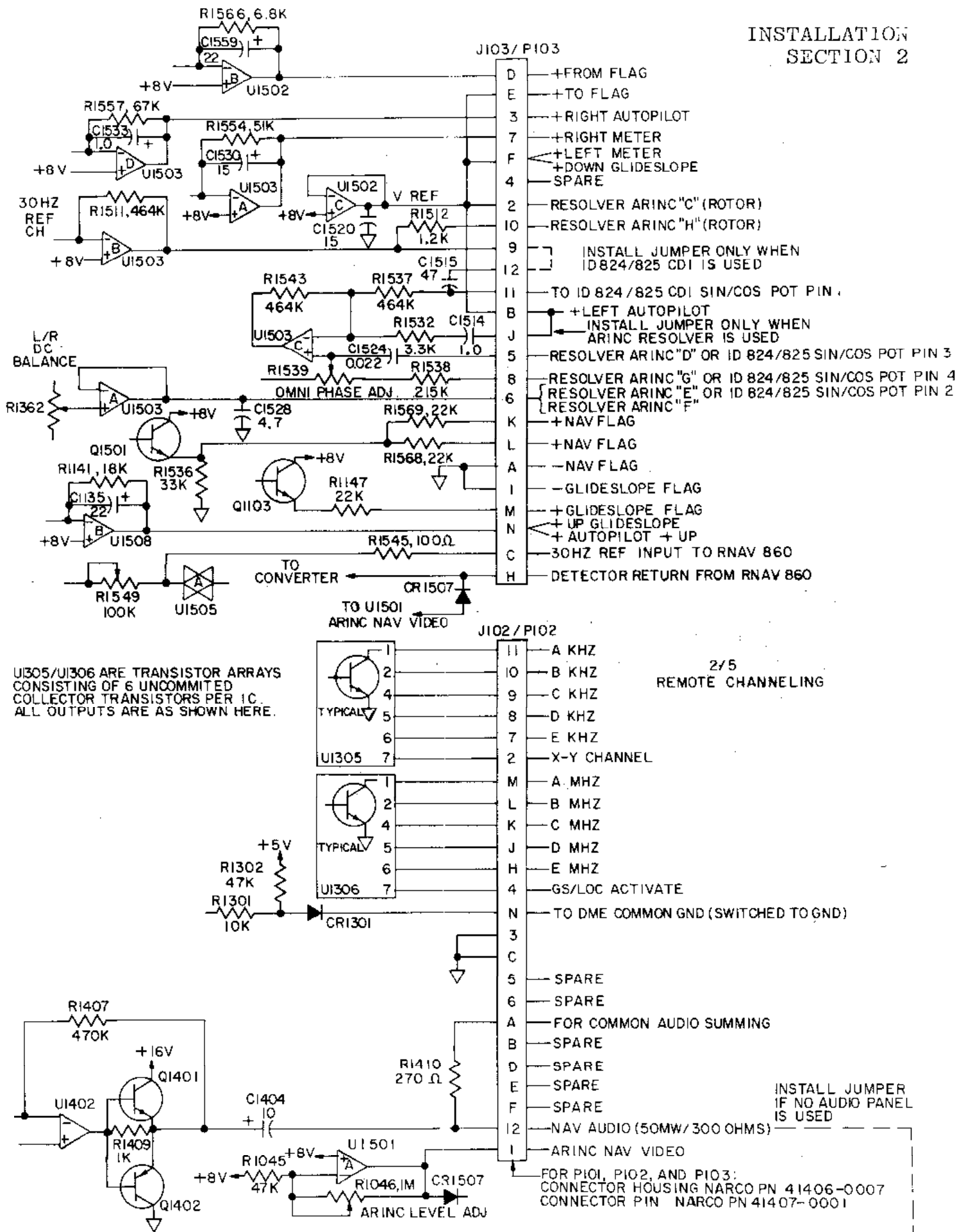


FIGURE 2-3. MK-12D EXTERNAL INTERCONNECT DIAGRAM P101, P102, P103