

**CHARACTERISTICS**

**ELECTRICAL:**

ELECTRICAL RATINGS		
TOGGLE MODE	115 VAC 60 HZ.	28 VDC
RESISTIVE	2 AMPS	2 AMPS
INDUCTIVE	2 AMPS	2 AMPS
PUSHBUTTON		
RESISTIVE	2 AMPS	2 AMPS
INDUCTIVE	2 AMPS	2 AMPS
DIELECTRIC WITHSTANDING VOLTAGE	1050 VRMS	

ELECTRICAL LIFE: 50,000 CYCLES AT FULL LOAD TOGGLE AND PUSHBUTTON MODES

**MECHANICAL:**

**TOGGLE MODES:** (PUSHBUTTON MODE IS LOCKED OUT)  
 OPERATE FORCE: 5 LBS. MAX., 1.75 LBS. MIN.  
 RELEASE FORCE: .5 LB. MIN.  
 PRETRAVEL: 5° MIN.  
 OVERTRAVEL: 2° MIN.

**PUSHBUTTON MODE:** (TOGGLE MODES ARE LOCKED OUT)  
 OPERATE FORCE: 4±1 LBS.  
 RELEASE FORCE: .5 LB. MIN.  
 TOTAL TRAVEL: .175 MAX.  
 OVERTRAVEL: .020 MIN.  
 MECHANICAL LIFE: 50,000 CYCLES TOGGLE AND PUSHBUTTON MODES

**PHYSICAL:**

ENCLOSURE DESIGN: 2 (DUSTTIGHT) PER MIL-S-8805  
 TEMPERATURE RANGE: -55°C TO +85°C (CONTINUOUS)  
 BUTTON: BLACK FIBERITE  
 CASE: BLACK ANODIZED ALUMINUM ALLOY  
 INSULATION RESISTANCE: 100 MEGOHMS MIN. AT 500±10 VDC FOR TWO MINUTES

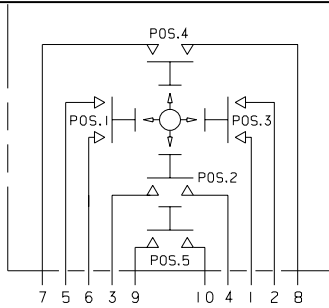
MARK: OTTO 21649  
 T5-0055  
 TERM. IDENT. & DATE CODE.

MOUNTING HARDWARE:  
 HEX NUT AND INTERNAL TOOTH LOCKWASHER

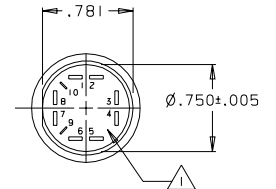
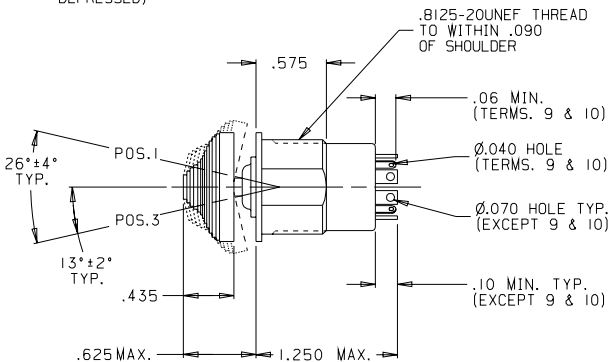
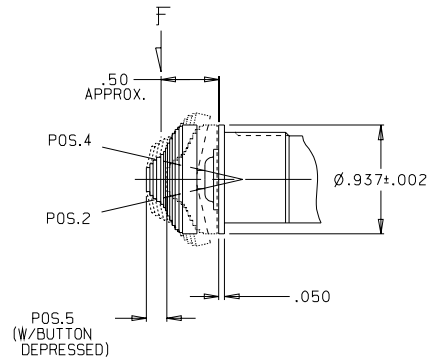
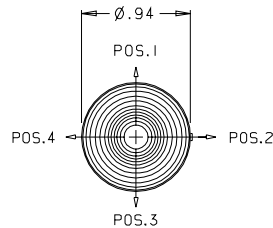
**NOTE:**

1 TERMINAL NUMBERS DO NOT APPEAR ON SWITCH BOTTOM. (SHOWN FOR REF. ONLY)

ALL POSITIONS MOMENTARY			
POSITION	TERM. NOS.	FUNCTION	MODE
1	5 & 6	N.O.D.B.	TOGGLE
2	3 & 4	N.O.D.B.	TOGGLE
3	1 & 2	N.O.D.B.	TOGGLE
4	7 & 8	N.O.D.B.	TOGGLE
5	9 & 10	N.O.D.B.	PUSHBUTTON



**SCHMATIC**



UNLESS OTHERWISE SPECIFIED: DIMENSIONS ARE IN INCHES. TOLERANCES: .XX ±.03 .XXX ±.010 ANGLES ±2° DO NOT SCALE THIRD ANGLE PROJECTION	OTTO CONTROLS		PART NAME		REV.			
	DIVISION OF		SWITCH, COMBO					
	OTTO ENGINEERING INC.		(5 POS. TOGGLE/PUSHBTN.)					
	CARPENTERSVILLE, ILLINOIS USA							
THIS DOCUMENT IS THE CONFIDENTIAL PROPERTY OF OTTO ENGINEERING, INC. IT IS PROVIDED ON A RESTRICTED BASIS AND IS NOT TO BE USED IN ANY WAY DETRIMENTAL TO THE INTERESTS OF OTTO ENGINEERING, INC..			DRWN. SH	SIZE	FSCM NO	DRAWING NO.	A	
			CHKD. EB	B	21649	T5-0055		
			APPD. RG					
			DATE	19 NOV 93	WT.	1.25 OZS.	SCALE 1:1	SHEET 1 OF 1

T5-0055

LET	ECN	DATE	APR
A	952100	30 MAY 95	